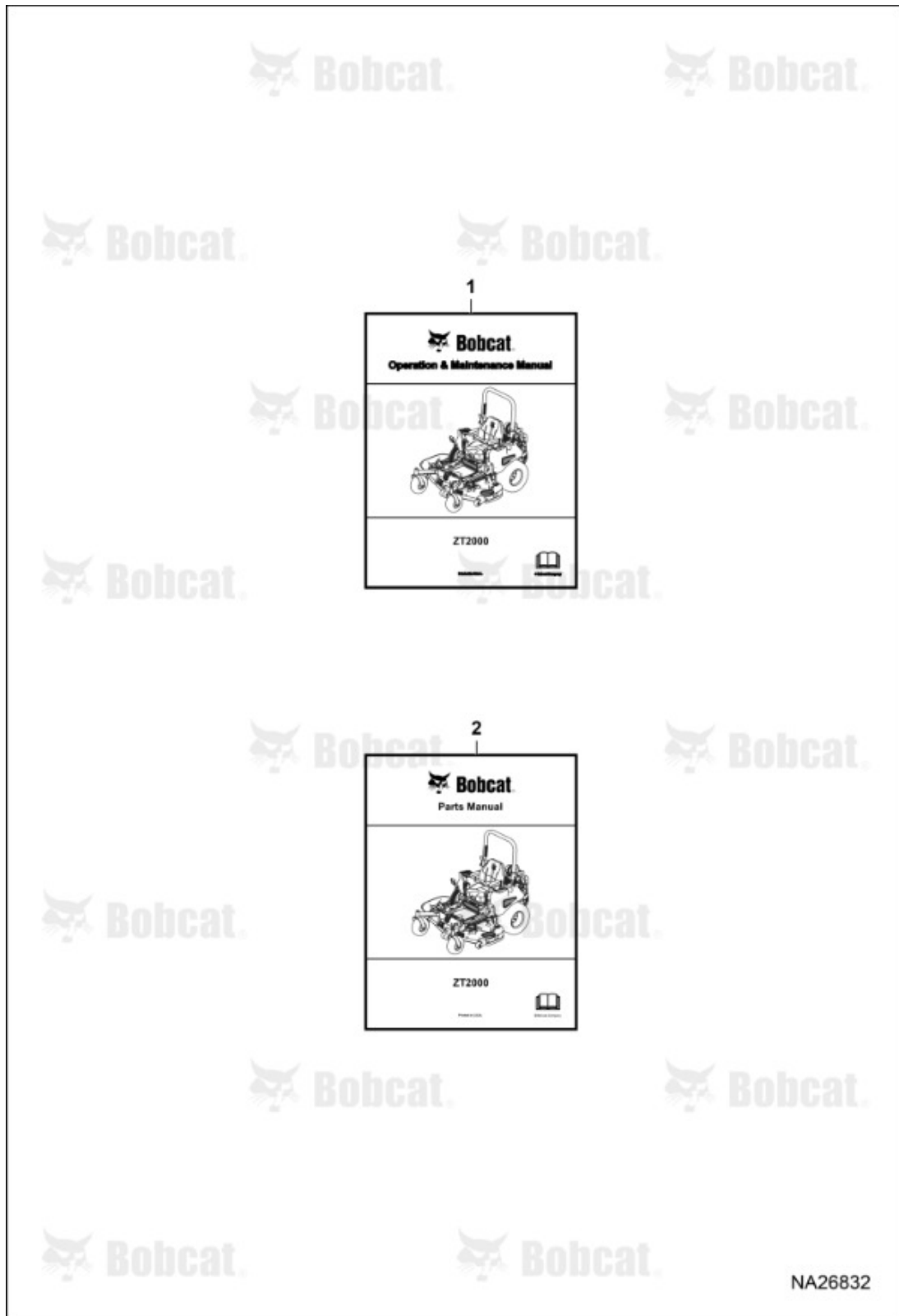


Title: Maintenance Items (Literature)

Model Number: ZT2000

Serial Number: B6H511001 & Successivi



Title: Maintenance Items (Literature)

Model Number: ZT2000

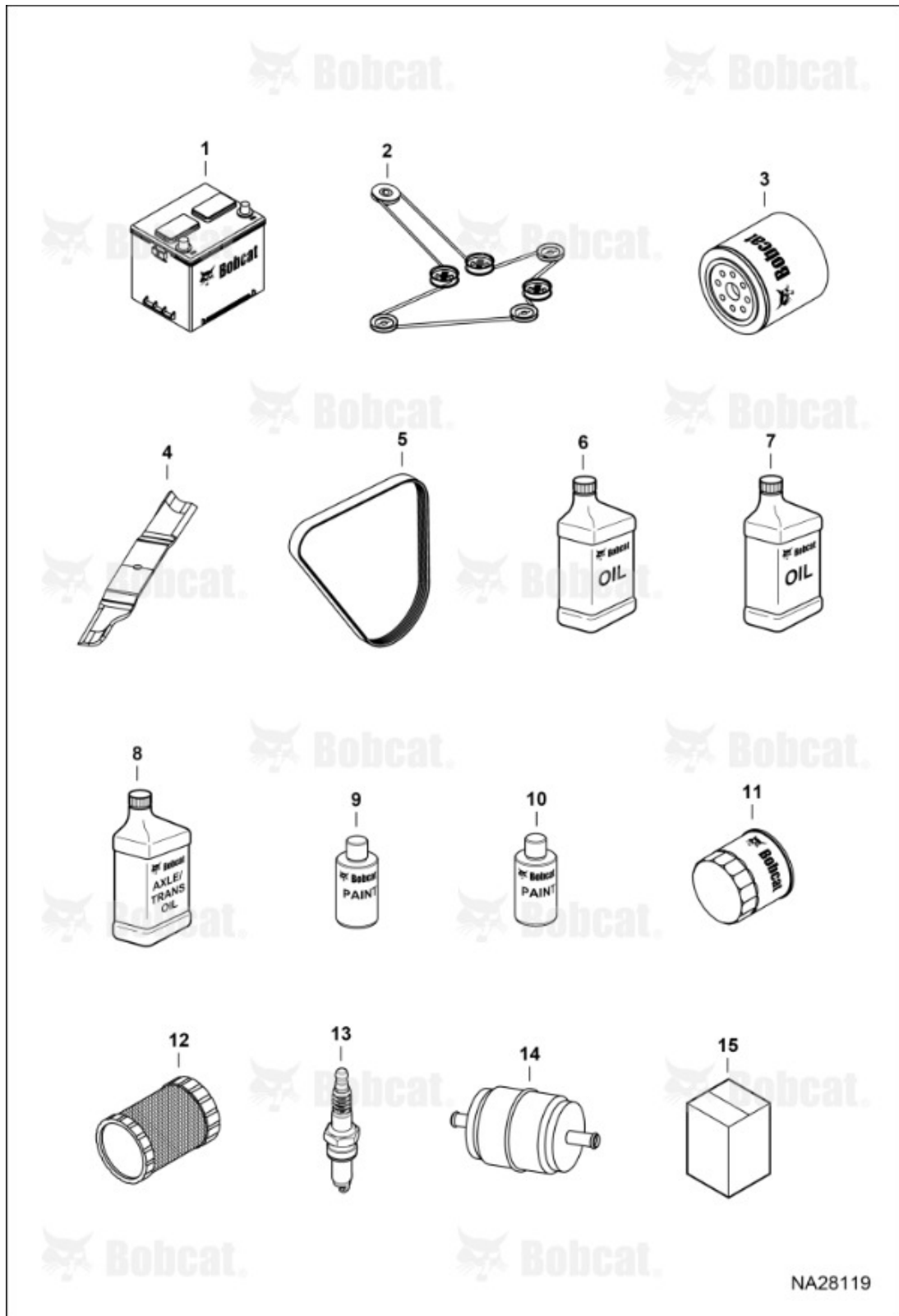
Serial Number: B6H511001 & Above

Ref #	Part #	Description	S/N	Qty
1	46892057ENUS	OM ZT2000 MWR		1
1	46892057ESAR	OM ZT2000 MWR SPANISH		1
1	46892057FRCA	OM ZT2000 MWR FRENCH-CANADA		1
2	46902631	MANUAL PARTS ZT2000		1

Title: Maintenance Items (Service Parts)

Model Number: ZT2000

Serial Number: B6H511001 & Above



Title: Maintenance Items (Service Parts)

Model Number: ZT2000

Serial Number: B6H511001 & Above

Ref #	Part #	Description	S/N	Qty
1	46979478	BATTERY 190CCA WITH DECAL, Was 4171099, A		1
2	4171677	BELT CUTTERDECK 42 IN, NA		1
2	4169566	BELT DECK 48 IN, NA		1
2	4169640	BELT DECK 52 IN, NA		1
2	7503240	BELT DECK 48 IN, EMEA		1
2	7503241	BELT DECK 52 IN, EMEA		1
3	4142045-06	FILTER TRANSAXLE		2
4	112111-03	BLADE 21.00 OFFSET HI-LIFT, 42" NA		2
4	112243-03	BLADE MOWER, 42" Mulch		2
4	112111-01	BLADE 16.25 OFFSET HI-LIFT, 48" NA		3
4	2722543-01	BLADE 16.25 ELIMINATOR, 48" Mulch		3
4	112243-01	BLADE 16.25 OFFSET HI-LIFT, 48" EMEA		3
4	112111-02	BLADE 18.00 OFFSET HI-LIFT, 52" NA		3
4	2722543-02	BLADE 18.00 ELIMINATOR, 52" Mulch		3
4	112243-02	BLADE ASSEMBLY, 52" EMEA		3
5	4168621	BELT DRIVE		1
6	7354875	OIL 10W30 QT 12		x
6	X7354875	OIL 10W30 QT, NLA		x
7	46995505	MOTOR OIL 10W40 12 QT		x
7	46995505UD1	MOTOR OIL 10W40 QT		x
8	7354881	OIL 15W40 QT 12, Transaxle Fluid		x
8	7354882	OIL 15W40 GAL 6, Transaxle Fluid		x
8	7354882PK	OIL 15W40 GAL 216		x
9	6736642	PAINT, WHITE .5 OZ		x
9	6902230	PAINT, WHITE SPRAY CAN 6		x

Title: Maintenance Items (Service Parts)

Model Number: ZT2000

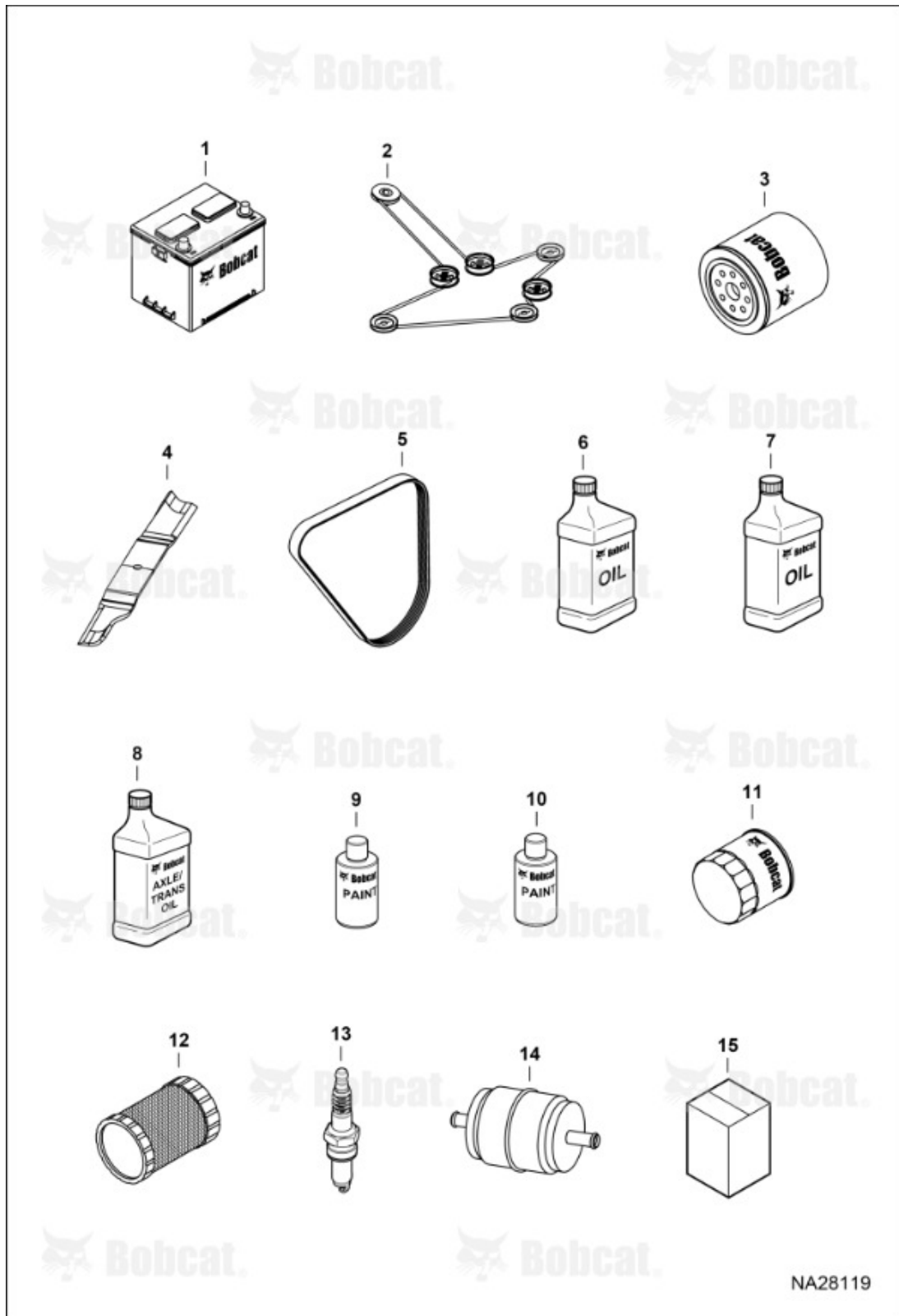
Serial Number: B6H511001 & Above

Ref #	Part #	Description	S/N	Qty
9	6902235	PAINT, WHITE QT 6		x
10	7305843	PAINT ORANGE .5 OZ		x
10	7305844	PAINT ORANGE SPRAY CAN 6		x
10	7305845	PAINT ORANGE QT 6		x
10	6736641	PAINT, CHARCOAL .5 OZ		x
10	6902229	PAINT, CHARCOAL SPRAY CAN 6		x
10	6902234	PAINT, CHARCOAL QT 6		x
11	46950394	FILTER OIL, Was 7463097, A		1
12	7451769	FILTER AIR		1
13	7457772	PLUG SPARK		2
14	7457774	FILTER FUEL		1
15	46985352	KIT MAINTENANCE SERVICE, NLA - Order 46951914 - Was 7461874, A		1

Title: Maintenance Items (Service Parts)

Model Number: ZT2000

Serial Number: B6H511001 & Above



Title: Maintenance Items (Service Parts)

Model Number: ZT2000

Serial Number: B6H511001 & Above

Ref #	Part #	Description	S/N	Qty
1	46979478	BATTERY 190CCA WITH DECAL, Was 4171099, A		1
2	4171677	BELT CUTTERDECK 42 IN, NA		1
2	4169566	BELT DECK 48 IN, NA		1
2	4169640	BELT DECK 52 IN, NA		1
2	7503240	BELT DECK 48 IN, EMEA		1
2	7503241	BELT DECK 52 IN, EMEA		1
3	4142045-06	FILTER TRANSAXLE		2
4	112111-03	BLADE 21.00 OFFSET HI-LIFT, 42" NA		2
4	112243-03	BLADE MOWER, 42" Mulch		2
4	112111-01	BLADE 16.25 OFFSET HI-LIFT, 48" NA		3
4	2722543-01	BLADE 16.25 ELIMINATOR, 48" Mulch		3
4	112243-01	BLADE 16.25 OFFSET HI-LIFT, 48" EMEA		3
4	112111-02	BLADE 18.00 OFFSET HI-LIFT, 52" NA		3
4	2722543-02	BLADE 18.00 ELIMINATOR, 52" Mulch		3
4	112243-02	BLADE ASSEMBLY, 52" EMEA		3
5	4168621	BELT DRIVE		1
6	7354875	OIL 10W30 QT 12		x
6	X7354875	OIL 10W30 QT, NLA		x
7	46995505	MOTOR OIL 10W40 12 QT		x
7	46995505UD1	MOTOR OIL 10W40 QT		x
8	7354881	OIL 15W40 QT 12, Transaxle Fluid		x
8	7354882	OIL 15W40 GAL 6, Transaxle Fluid		x
8	7354882PK	OIL 15W40 GAL 216		x
9	6736642	PAINT, WHITE .5 OZ		x
9	6902230	PAINT, WHITE SPRAY CAN 6		x

Title: Maintenance Items (Service Parts)

Model Number: ZT2000

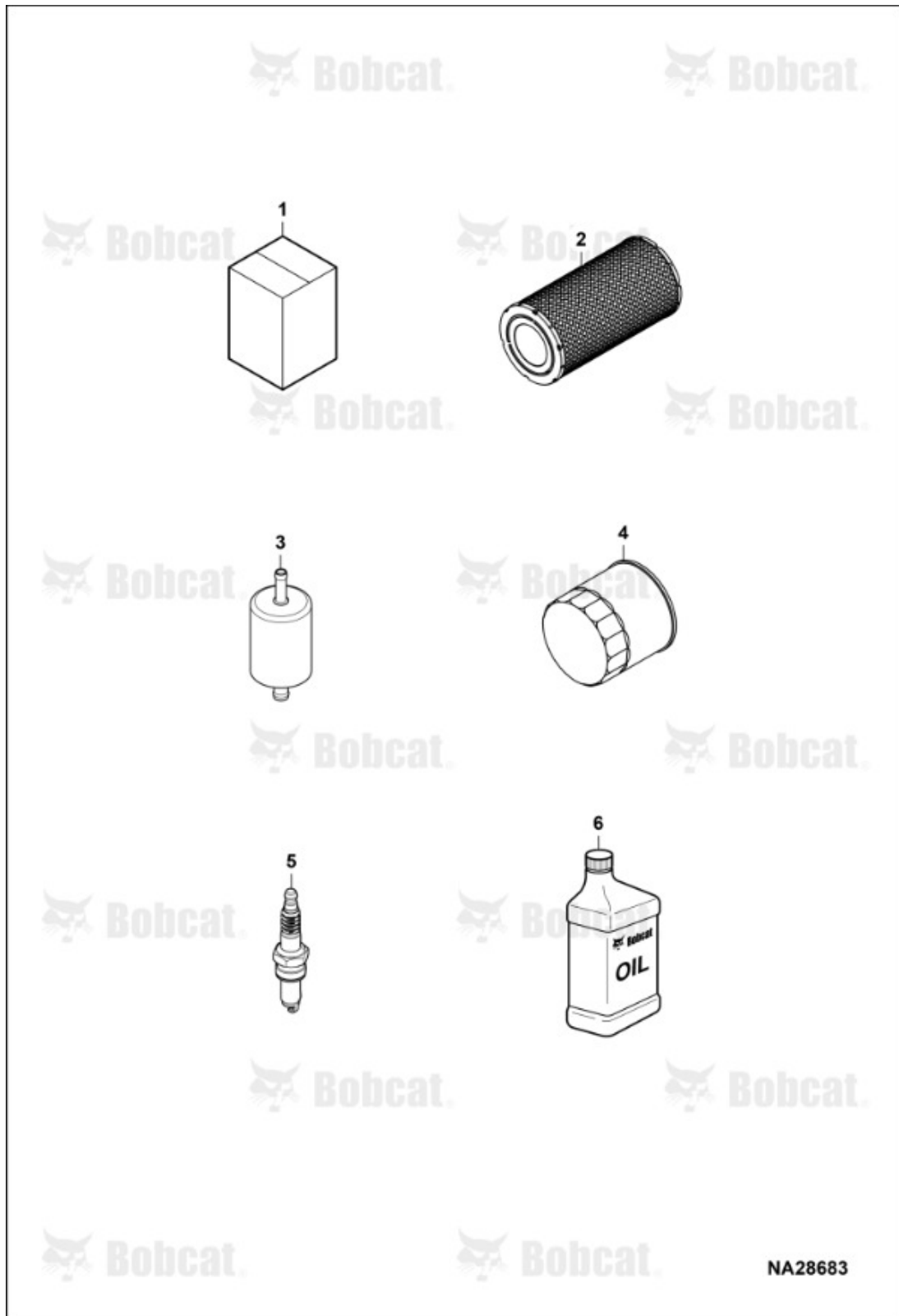
Serial Number: B6H511001 & Above

Ref #	Part #	Description	S/N	Qty
9	6902235	PAINT, WHITE QT 6		x
10	7305843	PAINT ORANGE .5 OZ		x
10	7305844	PAINT ORANGE SPRAY CAN 6		x
10	7305845	PAINT ORANGE QT 6		x
10	6736641	PAINT, CHARCOAL .5 OZ		x
10	6902229	PAINT, CHARCOAL SPRAY CAN 6		x
10	6902234	PAINT, CHARCOAL QT 6		x
11	46950394	FILTER OIL, Was 7463097, A		1
12	7451769	FILTER AIR		1
13	7457772	PLUG SPARK		2
14	7457774	FILTER FUEL		1
15	46985352	KIT MAINTENANCE SERVICE, NLA - Order 46951914 - Was 7461874, A		1

Title: Maintenance Items (Service Items)

Model Number: ZT2000

Serial Number: B6H511001 & Above



Title: Maintenance Items (Service Items)

Model Number: ZT2000

Serial Number: B6H511001 & Above

Ref #	Part #	Description	S/N	Qty
1	46951914	KIT MOWER MAINTENANCE, W/Ref. 2-6		1
2	46951918	FILTER AIR OUT		1
3	7457774	FILTER FUEL		2
4	46950394	FILTER OIL		1
5	46950392	PLUG SPARK		1
6	46995505UD1	MOTOR OIL 10W40 QT		1



Title: Frame Assembly (42")

Model Number: ZT2000

Serial Number: B6H511001 & Above

Ref #	Part #	Description	S/N	Qty
1	1C620	SCREW HEX CAP, Was PN 64123-16, A		2
2	64163-46	WASHER FLAT		2
3	84G3708	SCREW, Was PN 64197-016, A		2
4	59D6	NUT LOCK HEX NYLON, Was 64229-03 , A		2
5	35C616	SCREW FLANGED HEAD CAP, Was PN 64262-011, A		6
6	11D6	NUT LOCK HEX NYLON, Was PN 64268-03, A		6
7	4179336.41	BUMPER REAR		1
8	7524921.45	FRAME W/A		1
9	7524928.45	PLATE FRONT COVER, EMEA models only		1
10	85010N	ZERK FITTING		6
11	2720975-07	SPACER NYLON		1
12	2722230-08	SHAFT WHEEL		2
13	4143354	BUMPER SEAT MOUNTING		1
14	4165931	MAT FOOTPLATE		1
15	4167087	MAT FOOTPLATE		1
16	4167088	MAT FOOTPLATE		1
17	4167193	PLUG PLASTIC		1
18	4171802	CAP CASTER ASSEMBLY		2
19	4178947	PLATE FOOT		1
20	4178401	WHEEL ASSEMBLY 11X6.00-5.5		2
20	4177025	BEARING BALL		1
21	4178415	COVER DUST		4
22	4178613.46	CASTER WELDMENT		2
23	1C8152	SCREW HEX HEAD, Was PN 64123-221, A		2
24	1C516	BOLT, Was PN 64123-68, A		1

Title: Frame Assembly (42")

Model Number: ZT2000

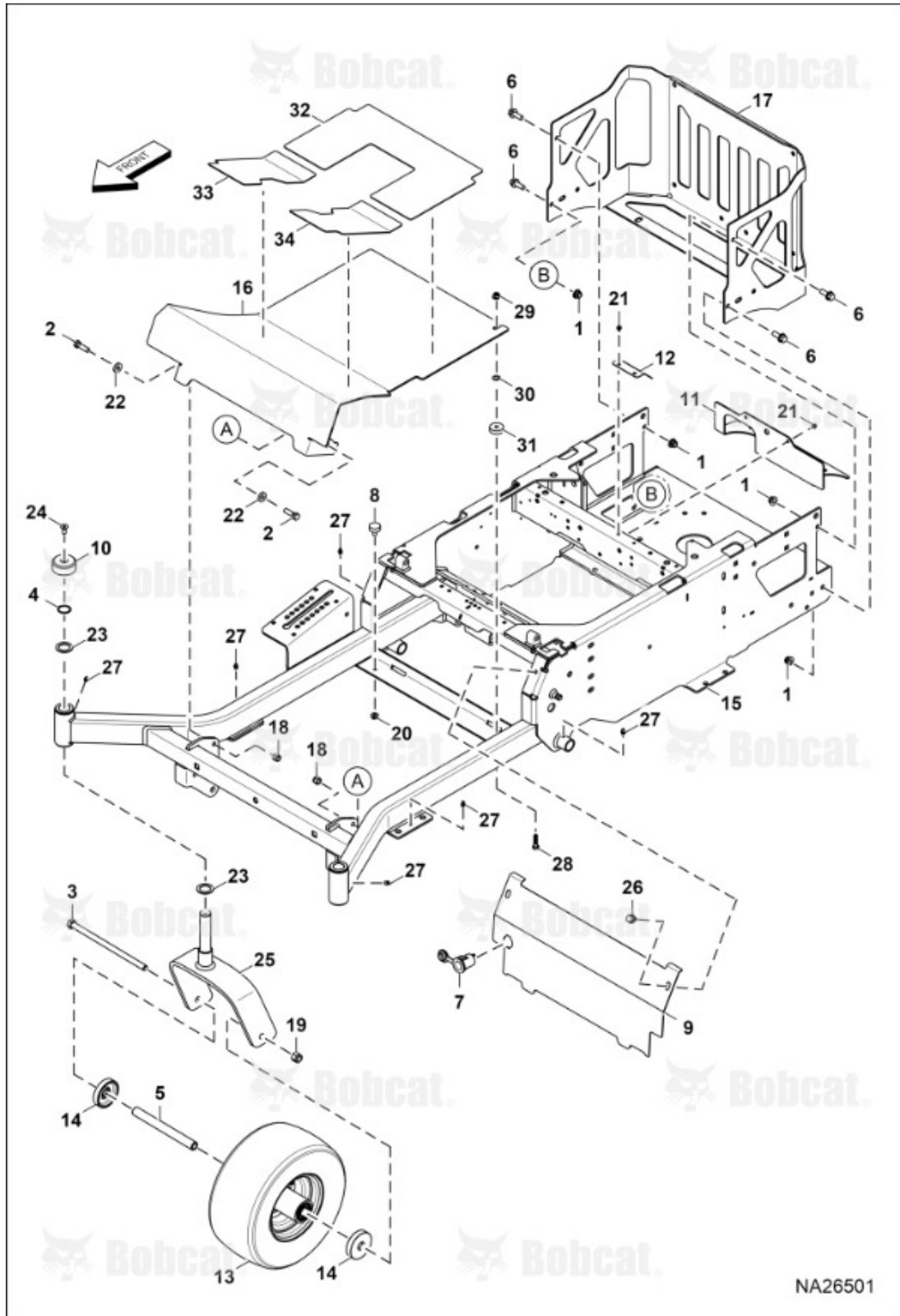
Serial Number: B6H511001 & Above

Ref #	Part #	Description	S/N	Qty
25	21J16	SNAP RING, Was PN 64144-24, A		2
26	64152-23	SCREW MACHINE		2
27	64163-64	WASHER FLAT		4
28	59D8	NUT LOCK HEX NYLON, Was PN 64229-05, A		2
29	11D5	NUT LOCK HEX NYLON, Was 64268-02, A		2
30	64272-04	SCREW HEX		2
31	64279-02	PUSHNUT BOLT RETAINER		1
32	7533752.46	FRAME GUARD		1
33	64141-6	NUT HEX		1

Title: Frame Assembly (48"/52")

Model Number: ZT2000

Serial Number: B6H511001 & Above



NA26501

Title: Frame Assembly (48"/52")

Model Number: ZT2000

Serial Number: B6H511001 & Above

Ref #	Part #	Description	S/N	Qty
1	11D6	NUT LOCK HEX NYLON		6
2	1C620	SCREW HEX CAP		2
3	1C8152	SCREW HEX HEAD		2
4	21J16	SNAP RING		2
5	2722230-08	SHAFT WHEEL		2
6	35C616	SCREW FLANGED HEAD CAP		6
7	4142266	CONNECTOR RECEPTACLE		1
8	4143354	BUMPER SEAT MOUNTING		2
9	7524928.45	PLATE FRONT COVER, EMEA models only		1
10	4171802	CAP CASTER ASSEMBLY		2
11	4174731.46	FRAME GUARD		1
12	4174901.46	BRACKET TANK		1
13	4178401	WHEEL ASSEMBLY 11X6.00-5.5		2
14	4178415	COVER DUST		4
15	7524922.45	FRAME 48 IN & 52 IN		1
16	4178947	PLATE FOOT		1
17	4179336.41	BUMPER REAR		1
18	59D6	NUT LOCK HEX NYLON		2
19	59D8	NUT LOCK HEX NYLON		2
20	64141-6	NUT HEX		2
21	64152-23	SCREW MACHINE		4
22	64163-46	WASHER FLAT		2
23	64163-64	WASHER FLAT		4
24	64272-04	SCREW HEX		2
25	7515475.46	YOKE CASTER WELDMENT		2

Title: Frame Assembly (48"/52")

Model Number: ZT2000

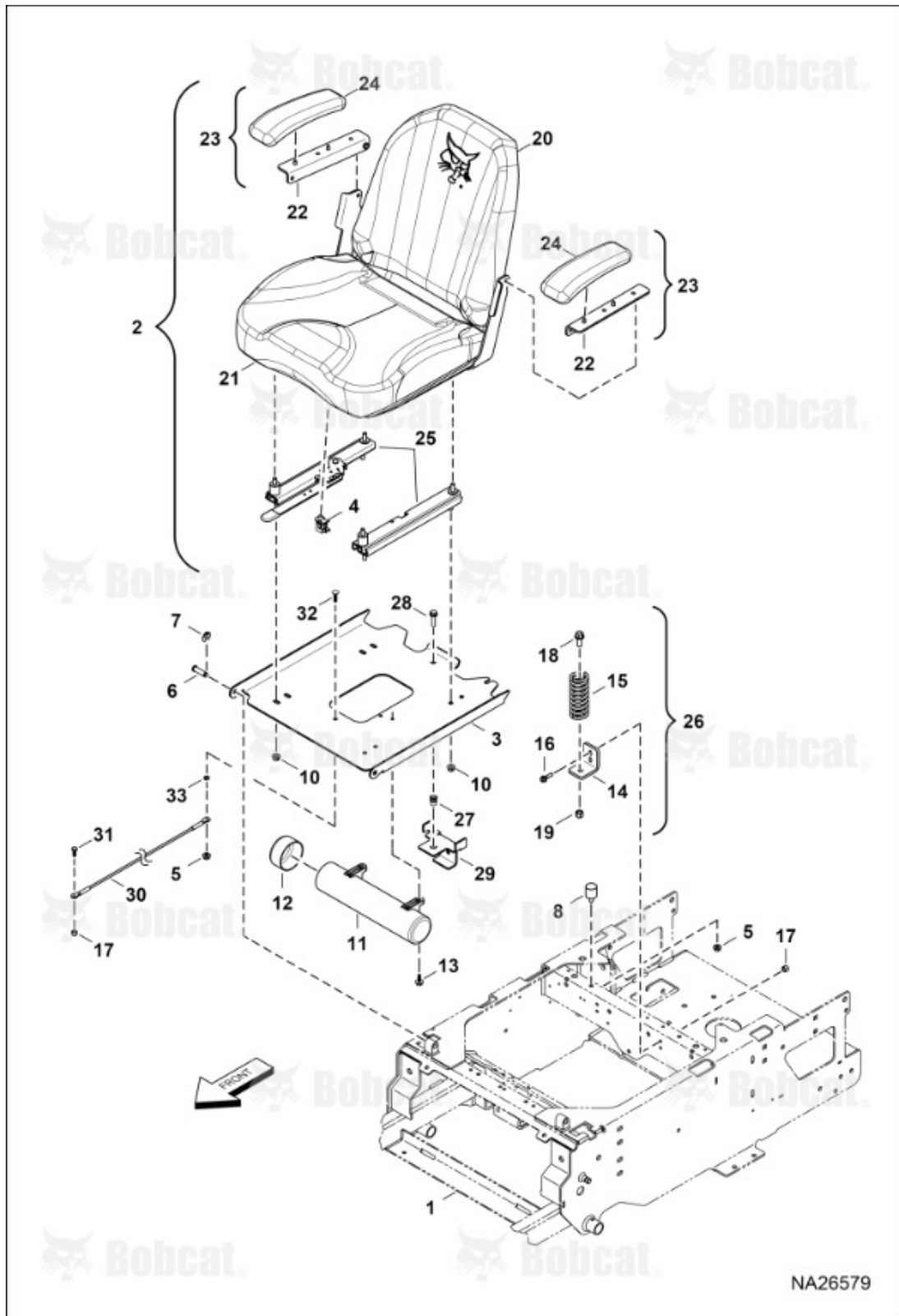
Serial Number: B6H511001 & Above

Ref #	Part #	Description	S/N	Qty
26	84G3708	SCREW		2
27	85010N	ZERK FITTING		6
28	1C520	BOLT, Was PN 64123-47, A		1
29	11D5	NUT LOCK HEX NYLON, Was 64268-02, A		4
30	64279-02	PUSHNUT BOLT RETAINER		4
31	2720975-07	SPACER NYLON		4
32	4165931	MAT FOOTPLATE		1
33	4167087	MAT FOOTPLATE		1
34	4167088	MAT FOOTPLATE		1

Title: Seat Assembly (EMEA)

Model Number: ZT2000

Serial Number: B6H511001 & Above



NA26579

Title: Seat Assembly (EMEA)

Model Number: ZT2000

Serial Number: B6H511001 & Above

Ref #	Part #	Description	S/N	Qty
1	4178925	FRAME ASSEMBLY		1
2	4178719	SEAT ASSEMBLY, W/Ref. 4 & 24-29		1
2	4179392	DECAL BOBCAT		1
3	7525051.46	BRACKET SEAT		1
4	4124009	SWITCH SEAT		1
5	64141-6	NUT HEX		4
6	7508146	PIN CLEVIS, Was PN 33138-09, A		2
7	7508319	RING RETAINER, Was PN 64144-30, A		2
8	4164210	BUMPER RUBBER		2
9	4143354	BUMPER SEAT MOUNTING		1
10	11D5	NUT LOCK HEX NYLON, Was 64268-02, A		4
11	4129802	HOLDER HANDBOOK, W/Ref. 16		1
12	38061A	CAP VINYL		1
13	64197-002	BOLT HEX		2
14	4164330.46	BRACKET MOUNTING		2
15	4164569	SPRING SEAT		2
16	35C416	BOLT, Was PN 64262-003, A		4
17	59D4	NUT LOCK HEX NYLON, Was PN 64229-01, A		4
18	35C616	SCREW FLANGED HEAD CAP, Was PN 64262-011, A		2
19	59D6	NUT LOCK HEX NYLON, Was 64229-03 , A		2
20	4178985	BACK ASSEMBLY		1
21	4178986	CUSHION ASSEMBLY		1
22	4178942	KIT ARM RH		1
22	4178941	KIT ARM LH		1
23	4179318	KIT ARMREST, W/Ref. 22		1

Title: Seat Assembly (EMEA)

Model Number: ZT2000

Serial Number: B6H511001 & Above

Ref #	Part #	Description	S/N	Qty
24	4165316-02	PAD ARM SINGLE		2
25	4169768-04	SLIDER SEAT		1
26	970393	KIT SPRING, W/Ref. 14-19		1
27	4173804	NUT RIVET		1
28	64139-10	BOLT HEX		1
29	7514044.46	BRACKET SEAT		1
30	4171100	CABLE TETHER		1
31	64123-89	BOLT HEX		1
32	64018-42	BOLT CARRIAGE		3
33	64001-13	NUT HEX		3



Title: Engine & Muffler (EMEA)

Model Number: ZT2000

Serial Number: B6H511001 & Above

Ref #	Part #	Description	S/N	Qty
1	38304-03	BEARING PLASTIC		1
2	4168618	PULLEY ENGINE		1
3	4169106	PIN CLUTCH		1
4	4173452.46	CLUTCH STOP WELDMENT		1
5		ENGINE FR651V, ENGINE FR651V		1
6	4164251	VALVE DRAIN		1
7	7508593	CLAMP HOSE		2
8	118020-23	CONTROL THROTTLE, Includes throttle cable.		1
9	108009-03	CABLE CHOKE		1
10	48412-01	CLIP CABLE		1
11	4E6	WASHER, Was PN 64006-03, A		4
12	64006-06	WASHER LOCK		1
13	10C616	BOLT SHRT SQ NK RHD 3/8-16X1 GRD 5, Was PN 64018-44, A		1
14	1C512	SCREW HEX CAP, Was PN 64123-54, A		2
15	1C624	SCREW HEX CAP, Was PN 64123-70, A		4
16	2C740	SCREW HEX CAP, Was PN 64123-78, A		1
17	64164-12	KEY SQUARE		1
18	29CM820	SCREW HEX FLANGE, Was PN 64263-007, A		6
19	64266-02	NUT LOCK		2
20	11D5	NUT LOCK HEX NYLON, Was 64268-02, A		2
21	7498347	MUFFLER ENGINE		1
22	7514858.46	BRACKET EXHAUST		1
23	7515035.46	BRACKET EXHAUST		1
24	4164252-001	FITTING BARBED STRAIGHT		1
25	7533340	HOSE FUEL OIL, NLA - 305 mm (12") - Order Ref. 34		1

Title: Engine & Muffler (EMEA)

Model Number: ZT2000

Serial Number: B6H511001 & Above

Ref #	Part #	Description	S/N	Qty
26	64123-89	BOLT HEX		2
27	64152-46	SCREW HEX HEAD		2
28	4178843.46	PANEL CONTROL		1
29	62D6	NUT HEX, Was PN 64025-04, A		1
30	64025-15	NUT HEX		2
31	4E5	WASHER, Was PN 64006-02, A		4
32	4DM8	NUT HEX, Was PN 64207-01, A		2
33	7501225	CLUTCH ELECTRIC		1
34	69053	HOSE FORMED, sold per foot		x
35	2720949	WIRE CLUTCH		1



Title: Rear Drive (Drive 2000)

Model Number: ZT2000

Serial Number: B6H511001 & Above

Ref #	Part #	Description	S/N	Qty
1	2228016	PULLEY IDLER		1
2	2720977	SPRING COMPRESSION		2
3	4128001	CAP END		1
4	4168621	BELT DRIVE		1
5	4148697	ROD CONTROL		2
6	4148698.46	LINK DUMP VALVE		2
7	4164128	SPRING TENSION		1
8	4178854	ARM IDLER ASSEMBLY		1
9	4128000	SEAL RING		1
10	4128004	BEARING BALL		2
11	4178851.45	FRAME 48 IN & 52 IN		1
12	64144-40	RING SNAP		1
13	64123-55	BOLT HEX		4
14	1C632	BOLT, Was PN 64123-67, A		1
15	1C644	CANOPY BOLT 4, Was PN 64123-88, A		4
16	64163-31	WASHER FLAT		4
17	64163-55	WASHER FLAT		8
18	64163-61	WASHER FLAT		1
19	7508483	PIN COTTER, Was 64168-2, A		2
20	59D4	NUT LOCK HEX NYLON, Was PN 64229-01, A		2
21	11D5	NUT LOCK HEX NYLON, Was 64268-02, A		8
22	11D6	NUT LOCK HEX NYLON, Was PN 64268-03, A		1
23	64270-01	BOLT HEX		1
24	7444393	TRANSAXLE LH		1
25	7444394	TRANSAXLE RH		1

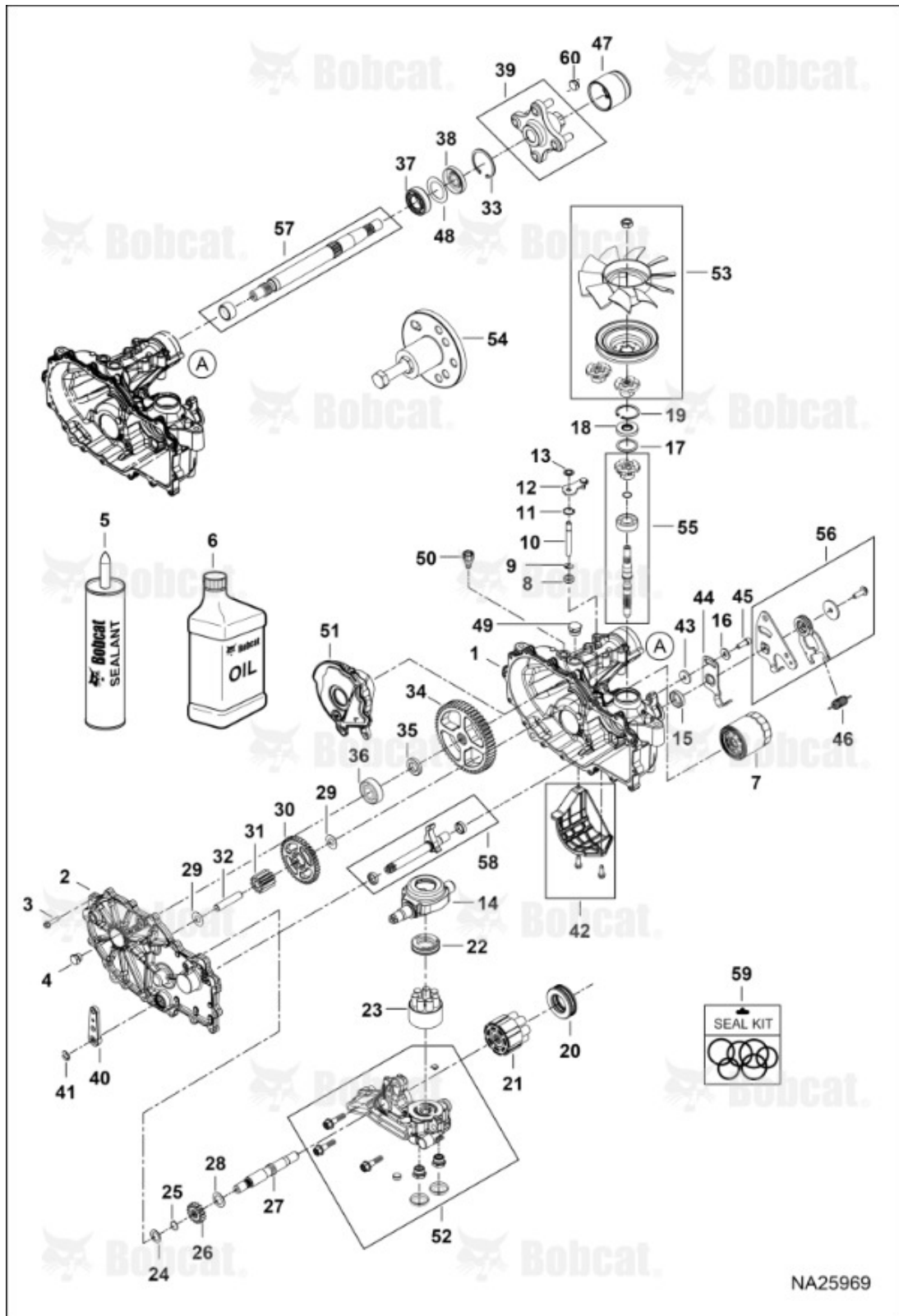
Title: Rear Drive (Drive 2000)

Model Number: ZT2000

Serial Number: B6H511001 & Above

Ref #	Part #	Description	S/N	Qty
26	4168618	PULLEY ENGINE		1
27	4172518-01	TIRE 20X8-10 OTR ZT, Use on NA		2
27	46895492	TIRE 20 X 10.00-10 OTR ZERO-T II		2
28	4179537-01	RIM 10 X 7 ORANGE, Use on NA		2
28	46895491	RIM 10.00 X 7.00 ORANGE		2
29	64187-03	NUT RIM FIXING		8

Title: Transaxle Left  
Model Number: ZT2000  
Serial Number: B6H511001 & Above



Title: Transaxle Left  
 Model Number: ZT2000  
 Serial Number: B6H511001 & Above

Ref #	Part #	Description	S/N	Qty
1	7525207	KIT HOUSING, LH		1
2	7525208	KIT COVER, LH		1
3	7525210	SCREW HEX		16
4	7525209	PLUG VENT		1
5	7504362	SEALANT GASKET LIQUID		1
6	7354881	OIL 15W40 QT 12, Transaxle fluid		X
6	7354882	OIL 15W40 GAL 6, Transaxle fluid		X
6	7354882PK	OIL 15W40 GAL 216		X
7	4142045-06	FILTER TRANSAXLE		1
8	7525211	SEAL LIP		1
9	7504367	RING RETAINING		1
10	7525212	ROD BYPASS		1
11	7504366	RING RETAINING		1
12	7525213	ARM BYPASS		1
13	7525214	RING RETAINING		1
14	7525215	SWASHPLATE		1
15	7525216	SEAL LIP		1
16	7504359	WASHER FLAT		1
17	7525217	WASHER FLAT		1
18	7525218	SEAL LIP		1
19	7525219	RING RETAINING		1
20	7525220	BEARING BALL		1
21	7525221	KIT CYLINDER BLOCK		1
22	7525222	BEARING BALL		1
23	4163316-03	KIT CYLINDER BLOCK		1

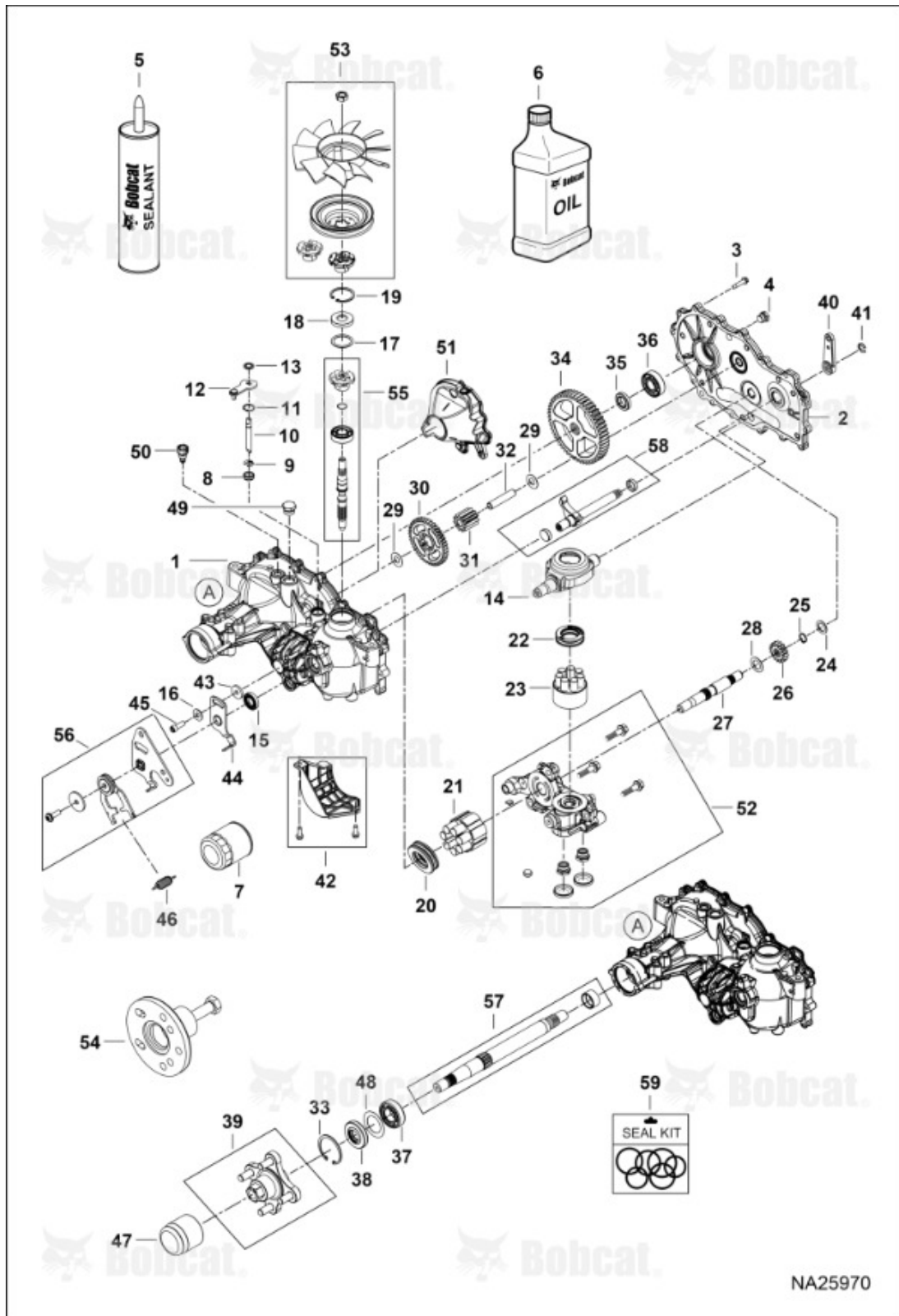
Title: Transaxle Left  
 Model Number: ZT2000  
 Serial Number: B6H511001 & Above

Ref #	Part #	Description	S/N	Qty
24	7525223	WASHER FLAT		1
25	7504360	RING RETAINING		1
26	7525224	GEAR SHAFT		1
27	7525225	SHAFT MOTOR		1
28	7525226	WASHER FLAT		1
29	7525227	WASHER FLAT		2
30	7525228	GEAR SHAFT		1
31	7525229	GEAR SHAFT		1
32	7525230	PIN SHAFT		1
33	7525110	RING RETAINING		1
34	7525231	GEAR AXLE		1
35	7525232	SPACER ROUND		1
36	7525233	KIT BEARING		1
37	7504382	BEARING BALL		1
38	7525234	SEAL LIP		1
39	4177128	HUB ASSEMBLY		1
40	7525235	HANDLE ACTUATOR		1
41	4164862	CLIP RETAINING		1
42	7525236	KIT GUARD		1
43	7504390	PLATE SPACER		1
44	7504373	ARM NEUTRAL, LH		1
45	7504365	SCREW SOCKET HEAD		1
46	4168166-02	SPRING CONTROL ARM		1
47	7525237	CAP AXLE		1
48	7525238	SPACER ROUND		1

Title: Transaxle Left  
Model Number: ZT2000  
Serial Number: B6H511001 & Above

Ref #	Part #	Description	S/N	Qty
49	7525239	PLUG STEEL		1
50	7525807	BREATHER ASSEMBLY		1
51	7525808	TANK EXPANSION ASSEMBLY, LH		1
52	7525241	KIT SECTION, LH		1
53	4179509	KIT FAN PULLEY		1
54	970438	KIT WHEEL HUB PULLER		1
55	7525243	KIT SHAFT		1
56	4168166-04	KIT ARM CONTROL		1
57	7525244	KIT SHAFT		1
58	7525245	KIT INBOARD		1
59	7525240	KIT SEAL, W/Ref. 8, 9, 11, 13, 15, 18, 19, 25 & 41		1
60	64187-03	NUT RIM FIXING		8

Title: Transaxle Right  
Model Number: ZT2000  
Serial Number: B6H511001 & Above



NA25970

Title: Transaxle Right  
 Model Number: ZT2000  
 Serial Number: B6H511001 & Above

Ref #	Part #	Description	S/N	Qty
1	7525777	KIT HOUSING, RH		1
2	7525778	KIT COVER, RH		1
3	7525210	SCREW HEX		16
4	7525209	PLUG VENT		1
5	7504362	SEALANT GASKET LIQUID		1
6	7354881	OIL 15W40 QT 12, Transaxle fluid		X
6	7354882	OIL 15W40 GAL 6, Transaxle fluid		X
6	7354882PK	OIL 15W40 GAL 216		X
7	4142045-06	FILTER TRANSAXLE		1
8	7525211	SEAL LIP		1
9	7504367	RING RETAINING		1
10	7525212	ROD BYPASS		1
11	7504366	RING RETAINING		1
12	7525812	ARM BYPASS		1
13	7525214	RING RETAINING		1
14	7525215	SWASHPLATE		1
15	7525216	SEAL LIP		1
16	7504359	WASHER FLAT		1
17	7525217	WASHER FLAT		1
18	7525218	SEAL LIP		1
19	7525219	RING RETAINING		1
20	7525220	BEARING BALL		1
21	7525221	KIT CYLINDER BLOCK		1
22	7525222	BEARING BALL		1
23	4163316-03	KIT CYLINDER BLOCK		1

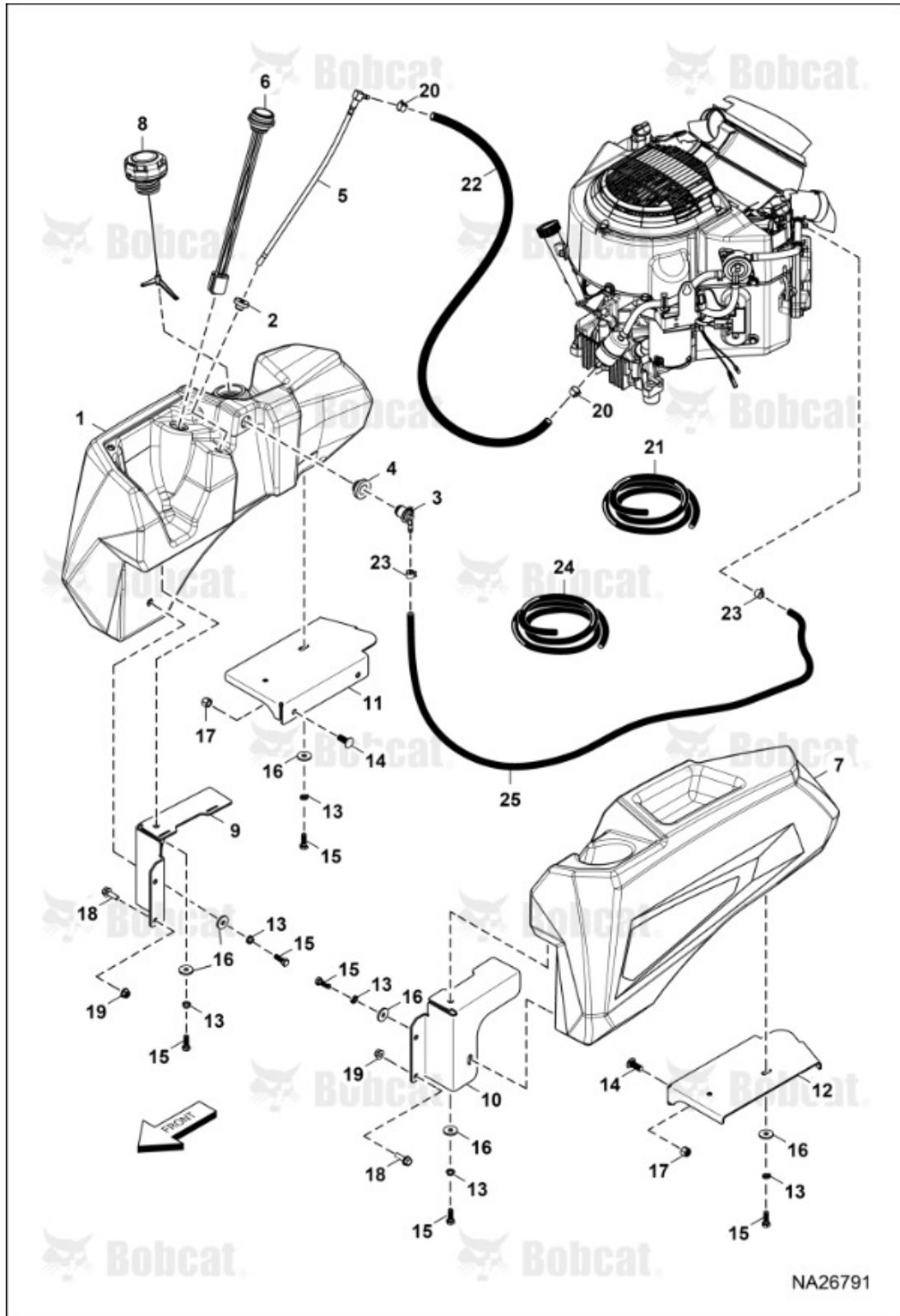
Title: Transaxle Right  
 Model Number: ZT2000  
 Serial Number: B6H511001 & Above

Ref #	Part #	Description	S/N	Qty
24	7525223	WASHER FLAT		1
25	7504360	RING RETAINING		1
26	7525224	GEAR SHAFT		1
27	7525225	SHAFT MOTOR		1
28	7525226	WASHER FLAT		1
29	7525227	WASHER FLAT		2
30	7525228	GEAR SHAFT		1
31	7525229	GEAR SHAFT		1
32	7525230	PIN SHAFT		1
33	7525110	RING RETAINING		1
34	7525231	GEAR AXLE		1
35	7525232	SPACER ROUND		1
36	7525233	KIT BEARING		1
37	7504382	BEARING BALL		1
38	7525234	SEAL LIP		1
39	4177128	HUB ASSEMBLY		1
40	7525235	HANDLE ACTUATOR		1
41	4164862	CLIP RETAINING		1
42	7525779	KIT GUARD		1
43	7504390	PLATE SPACER		1
44	7504419	ARM NEUTRAL, RH		1
45	7504365	SCREW SOCKET HEAD		1
46	4168166-02	SPRING CONTROL ARM		1
47	7525237	CAP AXLE		1
48	7525238	SPACER ROUND		1

Title: Transaxle Right  
Model Number: ZT2000  
Serial Number: B6H511001 & Above

Ref #	Part #	Description	S/N	Qty
49	7525239	PLUG STEEL		1
50	7525807	BREATHER ASSEMBLY		1
51	7525813	TANK EXPANSION ASSEMBLY, RH		1
52	4168167-01	KIT PUMP CHARGE, RH		1
53	4179509	KIT FAN PULLEY		1
54	970438	KIT WHEEL HUB PULLER		1
55	7525243	KIT SHAFT		1
56	4163819	KIT ARM CONTROL		1
57	7525244	KIT SHAFT		1
58	7525780	KIT INBOARD, includes 7504421		1
58	7504421	SEAL PLUG		1
59	7525240	KIT SEAL, W/Ref. 8, 9, 11, 13, 15, 18, 19, 25 & 41		1

Title: Fuel Tank  
Model Number: ZT2000  
Serial Number: B6H511001 & Above



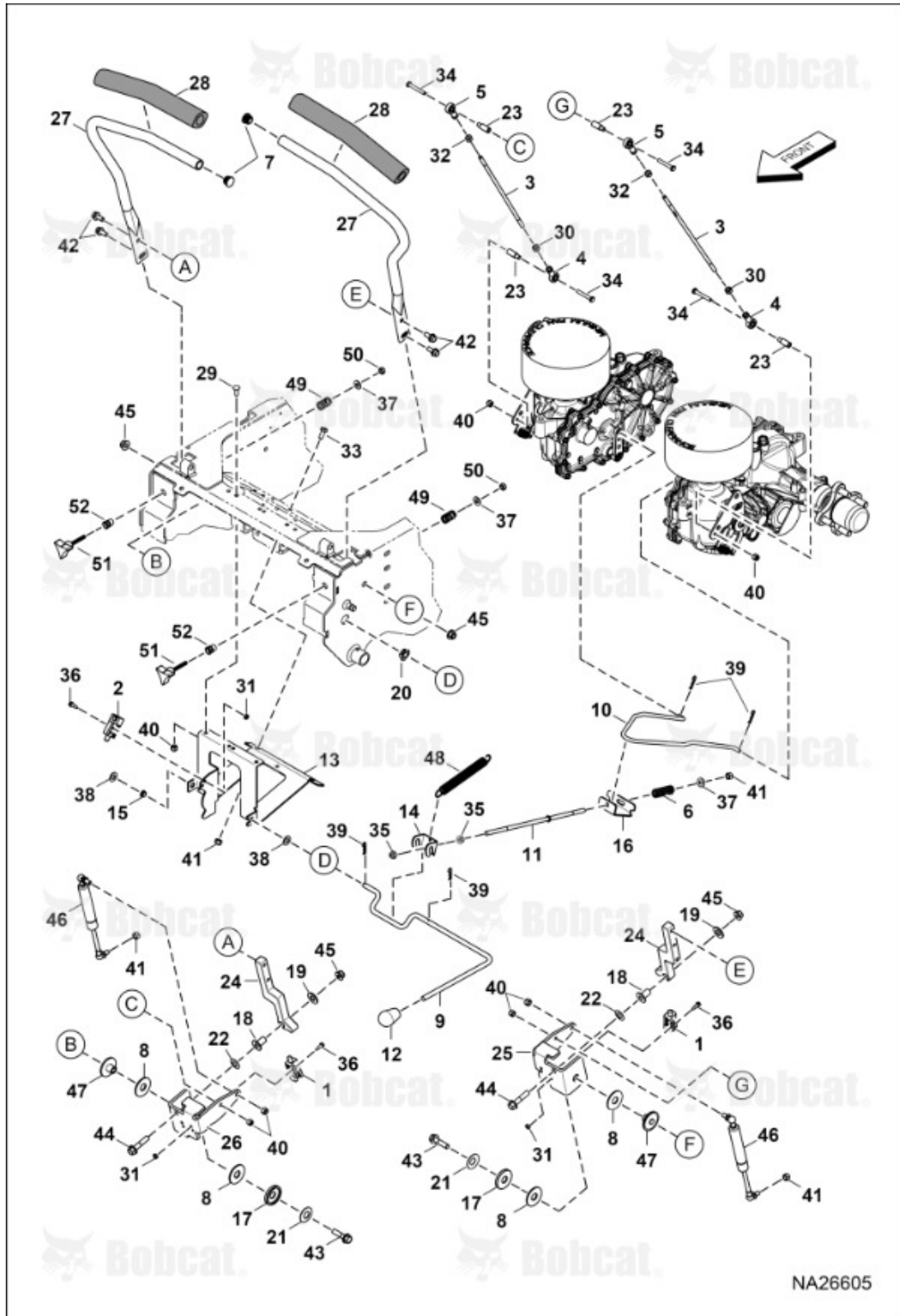
Title: Fuel Tank  
 Model Number: ZT2000  
 Serial Number: B6H511001 & Above

Ref #	Part #	Description	S/N	Qty
1	4178510	TANK FUEL RH, W/Ref. 2-6		1
2	4132325	GROMMET FUEL TANK		1
3	4165763	VENT AIR		1
4	4174343	GROMMET RUBBER		1
5	4178510-1	TUBE PICK UP		1
6	4178510-2	GAUGE FUEL ANALOG		1
7	4178956	FENDER WITH LABELS, Was PN 4178512, A		1
8	4178765	CAP TANK		1
9	7515055.45	BRACKET TANK		1
10	7515054.45	BRACKET TANK		1
11	7515057.45	BRACKET TANK		1
12	7515056.45	BRACKET TANK		1
13	4E5	WASHER, Was PN 64006-02, A		6
14	10C616	BOLT SHRT SQ NK RHD 3/8-16X1 GRD 5, Was PN 64018-44, A		4
15	1C516	BOLT, Was PN 64123-68, A		6
16	64163-29	WASHER FLAT		6
17	59D6	NUT LOCK HEX NYLON, Was 64229-03, A		4
18	35C516	SCREW HEX HD W/F GR5, Was PN 64262-007, A		4
19	11D5	NUT LOCK HEX NYLON, Was 64268-02, A		4
20	7521536	CLAMP HOSE STEEL SPRING .5 RED		2
21	7527911	HOSE FUEL, sold per foot		x
22		NLA - mm (") long - Order Ref. 21		1
23	7508591	CLAMP HOSE		2
24	7529351	HOSE FUEL, sold per foot		x

Title: Fuel Tank  
Model Number: ZT2000  
Serial Number: B6H511001 & Above

Ref #	Part #	Description	S/N	Qty
25		HOSE FUEL ASSEMBLY, HOSE FUEL ASSEMBLY, NLA - mm (") long - Order Ref. 24		1

Title: Controls Group  
Model Number: ZT2000  
Serial Number: B6H511001 & Above



Title: Controls Group  
 Model Number: ZT2000  
 Serial Number: B6H511001 & Above

Ref #	Part #	Description	S/N	Qty
1	108208	SWITCH DOUBLE POLE NC/NO		2
2	2188156	SWITCH DOUBLE POLE NO/NO		1
3	4143571	ROD CONTROL		2
4	4143595-01	ROD END		2
5	4143595-02	ROD END		2
6	4155481	SPRING COMPRESSION		1
7	4163692	CAP END		2
8	4168126	WASHER FLAT		4
9	4168162	LEVER BRAKE		1
10	4168163	ROD BRAKE		1
11	4168171	ROD BRAKE		1
12	4168180	KNOB PUSH ON		1
13	4168209.46	BRACKET BRAKE		1
14	4168210.46	CLIP RETAINING		1
15	4168216	BUSHING BRAKE		1
16	4168217.46	BRACKET CLIP		1
17	4168328	WASHER CUPPED		2
18	4168345	SPACER CONTROL		2
19	4168346	WASHER CUP LUBRICATING		2
20	4168412	BEARING BRAKE PARKING		1
21	4168434	WASHER CUPPED		2
22	4168435	WASHER CUPPED		2
23	4168814	SPACER CONTROL		4
24	4170389	BAR CONTROL		2
25	4171278	PLATE CONTROL		1

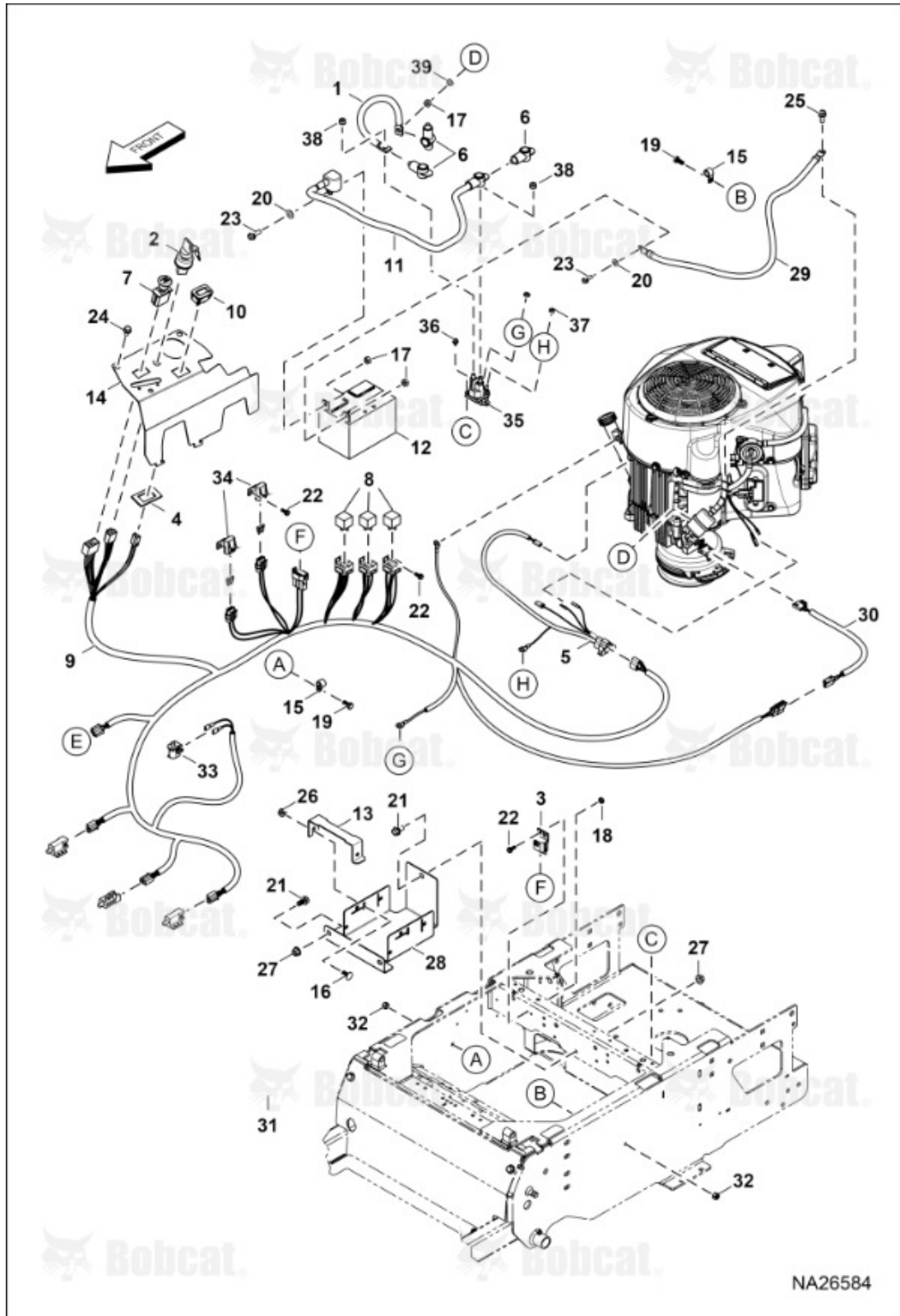
Title: Controls Group  
 Model Number: ZT2000  
 Serial Number: B6H511001 & Above

Ref #	Part #	Description	S/N	Qty
26	4171279	PLATE CONTROL		1
27	4178923	HANDLE W/GRIP		2
28	4178769	GRIP LEVER		2
29	37C412	BOLT, Was PN 64018-2, A		2
30	62D5	NUT HEX, Was Pn 64025-03, A		2
31	64025-15	NUT HEX		6
32	64025-33	NUT HEX		2
33	1C512	SCREW HEX CAP, Was PN 64123-54, A		2
34	64123-60	BOLT HEX		4
35	64141-6	NUT HEX		2
36	64152-49	SCREW HEX HEAD		6
37	64163-55	WASHER FLAT		1
38	64163-61	WASHER FLAT		2
39	7508483	PIN COTTER, Was 64168-2, A		4
40	59D4	NUT LOCK HEX NYLON, Was PN 64229-01, A		6
41	59D5	NUT LOCK HEX NYLON, Was PN 64229-02, A		7
42	35C512	SCREW FLANGED HEAD CAP, Was PN 64262-006, A		4
43	35C624	SCREW FLANGED HEAD CAP, Was PN 64262-013, A		2
44	35C628	BOLT, Was PN 64262-018, A		2
45	11D6	NUT LOCK HEX NYLON, Was PN 64268-03, A		4
46	46918847	DAMPER CONTROL, Was 7486876, A		2
47	7490308	CONTROL PIVOT SPACER		2
48	41-010	SPRING COIL		1
49	41-053	SPRING COMPRESSION		2
50	52D5	NUT LOCK HEX NYLON, Was PN 64151-41, A		3

Title: Controls Group  
Model Number: ZT2000  
Serial Number: B6H511001 & Above

Ref #	Part #	Description	S/N	Qty
51	4163446	KNOB 3 PRONG		2
52	4173804	NUT RIVET		2

Title: Electrical Group  
Model Number: ZT2000  
Serial Number: B6H511001 & Above



Title: Electrical Group  
 Model Number: ZT2000  
 Serial Number: B6H511001 & Above

Ref #	Part #	Description	S/N	Qty
1	108061-04	CABLE BATTERY POSITIVE, Used on EMEA models.		1
2	128010	SWITCH IGNITION		1
3	2188154	MODULE DELAY		1
4	2188178	SWITCH RETAINER		1
5	2188225	WIRE GROUND		1
6	2308095	COVER TERMINAL		3
7	2721505	SWITCH PTO		1
8	6679820	SWITCH RELAY MAGNETIC, Was 2722325 , A		3
9	4168406	HARNESS MAIN		1
10	4168452	HOURLMETER		1
11	4168492	CABLE BATTERY		1
12	46979478	BATTERY 190CCA WITH DECAL, Was 4171099, A		1
13	4174233.46	BRACKET BATTERY		1
14	4178843.46	PANEL CONTROL		1
15	48228-12	CLAMP CLIP		2
16	7508182	BOLT CARRIAGE, Was PN 64018-41, A		1
17	64025-01	NUT HEX		3
18	64025-15	NUT HEX		4
19	1C512	SCREW HEX CAP, Was PN 64123-54, A		2
20	64163-03	WASHER FLAT		2
21	84G3712	SCREW THD ROLLING TT, Was PN 64197-022, A		3
22	84G1908	BOLT, Was 64197-032, A		2
23	35C412	SCREW FLANGED HEAD CAP, Was PN 64262-002, A		2
24	64262-042	BOLT FLANGE		2
25	29CM820	SCREW HEX FLANGE, Was PN 64263-007, A		1

Title: Electrical Group  
 Model Number: ZT2000  
 Serial Number: B6H511001 & Above

Ref #	Part #	Description	S/N	Qty
26	11D4	NUT LOCK HEX NYLON, Was PN 64268-01, A		1
27	11D6	NUT LOCK HEX NYLON, Was PN 64268-03, A		3
28	7533717.46	PAN BATTERY		1
29	30-419	CABLE BATTERY NEGATIVE		1
30	2720949	WIRE CLUTCH		1
31	4142266	CONNECTOR RECEPTACLE		1
32	59D5	NUT LOCK HEX NYLON, Was PN 64229-02, A		2
33	4124009	SWITCH SEAT		1
34	46693386	CONNECTOR CAP		2
35	7528858	SOLENOID STARTER		1
36	64152-23	SCREW MACHINE		3
37	7526738	NUT HEX		2
38	7526872	NUT HEX		2
39	4E4	WASHER, Was 64006-01, A		1



Title: Deck Lift Controls  
 Model Number: ZT2000  
 Serial Number: B6H511001 & Above

Ref #	Part #	Description	S/N	Qty
1	4167982.46	PLATE STACKER		4
2	4167983.46	PLATE SLIDER MOUNTING		1
3	46927285.46	CUTTER DECK HEIGHT SLIDER W/A		1
4	4168138.46	STUBSHAFT WELDMENT		1
5	4168140.46	STUBSHAFT WELDMENT		1
6	4168181.46	PLATE LINK		2
7	4168335	SPACER TANSPORT RELEASE		1
8	4168338	STOP WIRE FORM		1
9	4169398	GRIP LATCH		1
10	7511899	DECAL CUT HEIGHT		1
11	4174076.46	BRACKET HANGER DECK LIFT		2
12	4174948-01	SPACER DECK LINK		4
13	7515097.46	BRACKET LIFT		2
14	46892799.46	ARM LIFT W/A		1
15	37C416	BOLT		4
16	1C820	BOLT, Was PN 64123-39		6
17	1C628	BOLT, Was PN 64123-87		2
18	99D6	NUT HEX FLANGED, Was PN 64141-4		6
19	21J14	RING SNAP		2
20	7508402	WASHER FLAT, Was PN 64163-65		2
21	59D4	NUT LOCK HEX NYLON, Was PN 64229-01		4
22	64262-012	BOLT FLANGE		4
23	11D6	NUT LOCK HEX NYLON, Was PN 64268-03		1
24	11D8	NUT LOCK HEX NYLON, Was PN 64268-05		6
25	46902008.46	LATCH TRANSPORT		1

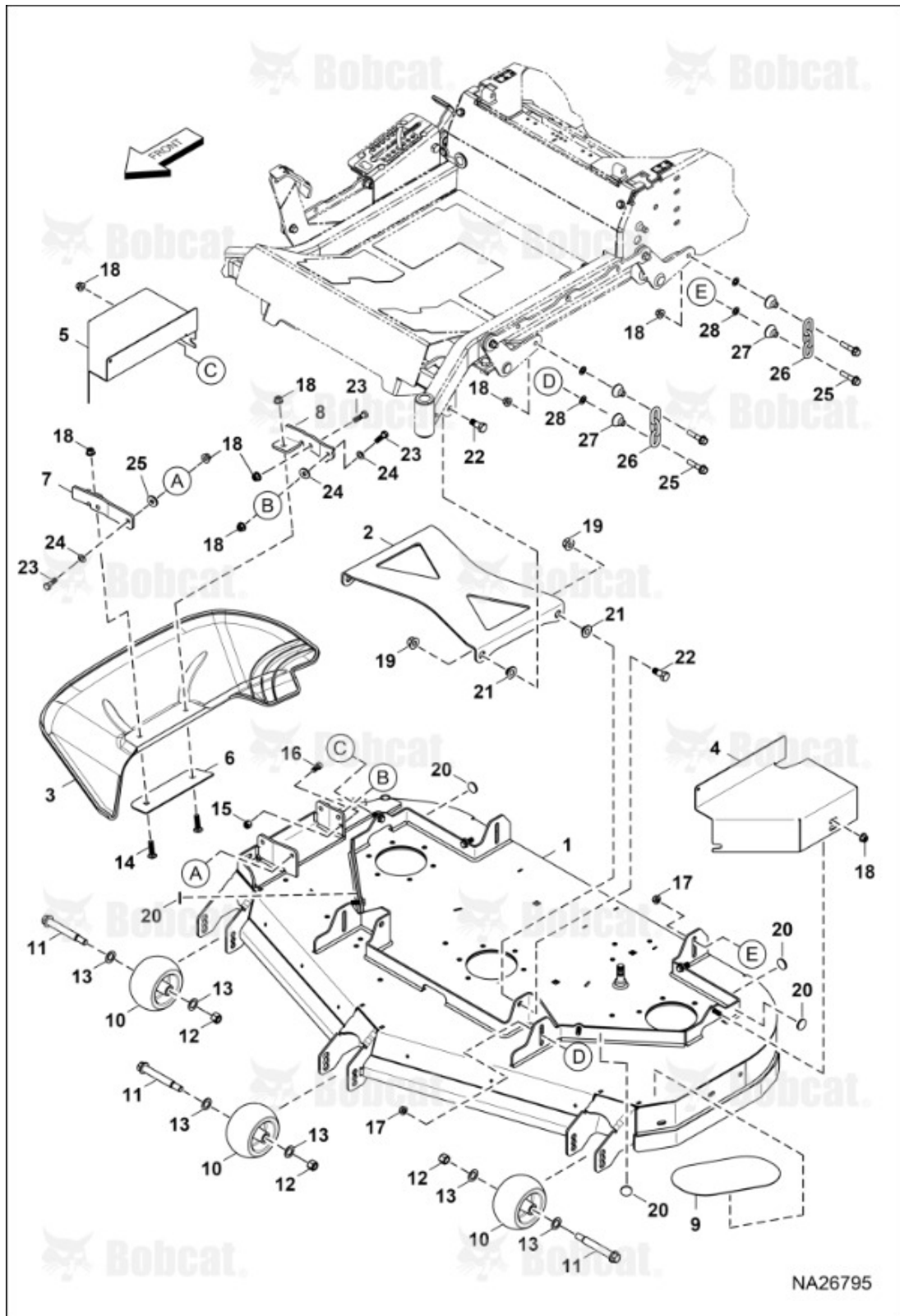
Title: Deck Lift Controls  
Model Number: ZT2000  
Serial Number: B6H511001 & Above

Ref #	Part #	Description	S/N	Qty
26	7519626.46	PLATE LINK		1

Title: DECK, Wheels & Covers (EMEA)(48/52)

Model Number: ZT2000

Serial Number: B6H511001 & Above



Title: DECK, Wheels & Covers (EMEA)(48/52)

Model Number: ZT2000

Serial Number: B6H511001 & Above

Ref #	Part #	Description	S/N	Qty
1	4179469	DECK W/LABELS 48 IN, 48" deck Was 4178463.46, A		1
1	4179470	DECK W/LABELS 52 IN, 52" deck - was 4178429.46, A		1
2	4175098.46	BRACKET ARM PULL		1
3	4172328	CHUTE PLASTIC		1
4	4173223.46	COVER BELT 48 LH, 48" deck		1
4	4169305.46	COVER BELT, 52" deck		1
5	4173222.46	COVER BELT 48 RH, 48" deck		1
5	4179687.46	COVER BELT 52 RH, 52" deck		1
6	4173063.46	PLATE CHUTE		1
7	4177411.46	BRACKET FRONT		1
8	4177410.46	BRACKET REAR		1
9	4178563	DECAL DECK STEP		1
10	2721512	ROLLER CENTERED		3
11	4172885-1	BOLT ANTI-SCALP ROLLER		3
12	59D8	NUT LOCK HEX NYLON, Was PN 64229-05, A		3
13	7510305	WASHER FLAT		6
14	37C624	BOLT, Was PN 64018-49, A		2
15	59D6	NUT LOCK HEX NYLON, Was 64229-03 , A		13
16	73G612	CAPSCREW, Was PN 64189-28, A		1
17	99D6	NUT HEX FLANGED, Was PN 64141-16, A		4
18	11D6	NUT LOCK HEX NYLON, Was PN 64268-03, A		22
19	11D8	NUT LOCK HEX NYLON, Was PN 64268-05, A		7
20	4168941	PAD BUMPER		10
21	1C820	BOLT, Was PN 64123-39, A		4
22	1C620	SCREW HEX CAP, Was PN 64123-16, A		3

Title: DECK, Wheels & Covers (EMEA)(48/52)

Model Number: ZT2000

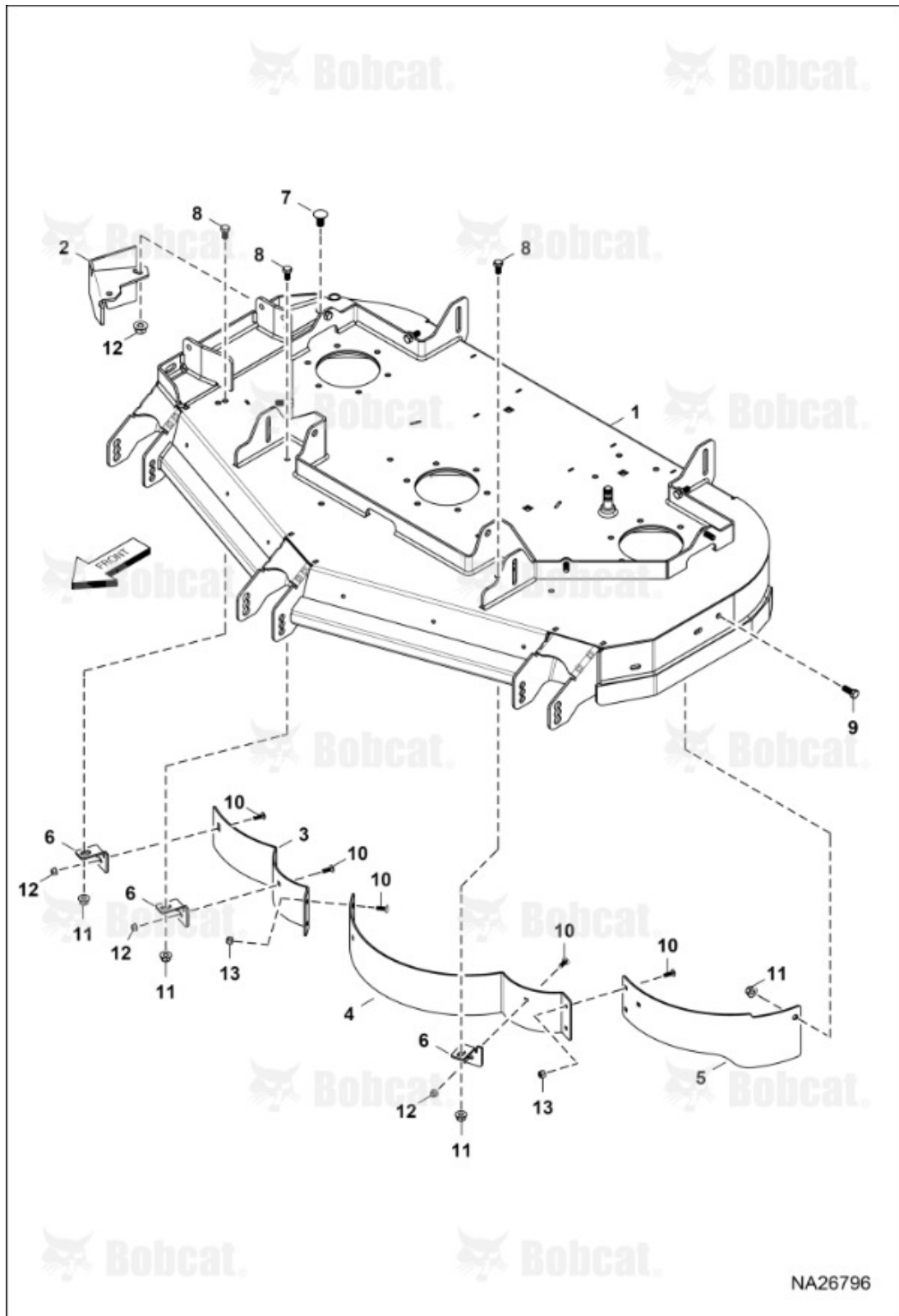
Serial Number: B6H511001 & Above

Ref #	Part #	Description	S/N	Qty
23	4169871	WASHER CUPPED		2
24	4169895	WASHER FRICTION		2
25	35C628	BOLT, Was PN 64262-018, A		4
26	2188127	CHAIN LINK		2
27	4178684	SPACER DECK HANGING		4
28	64279-03	PUSHNUT BOLT RETAINER		4

Title: Deck Shields (EMEA)(48/52)

Model Number: ZT2000

Serial Number: B6H511001 & Above



Title: Deck Shields (EMEA)(48/52)

Model Number: ZT2000

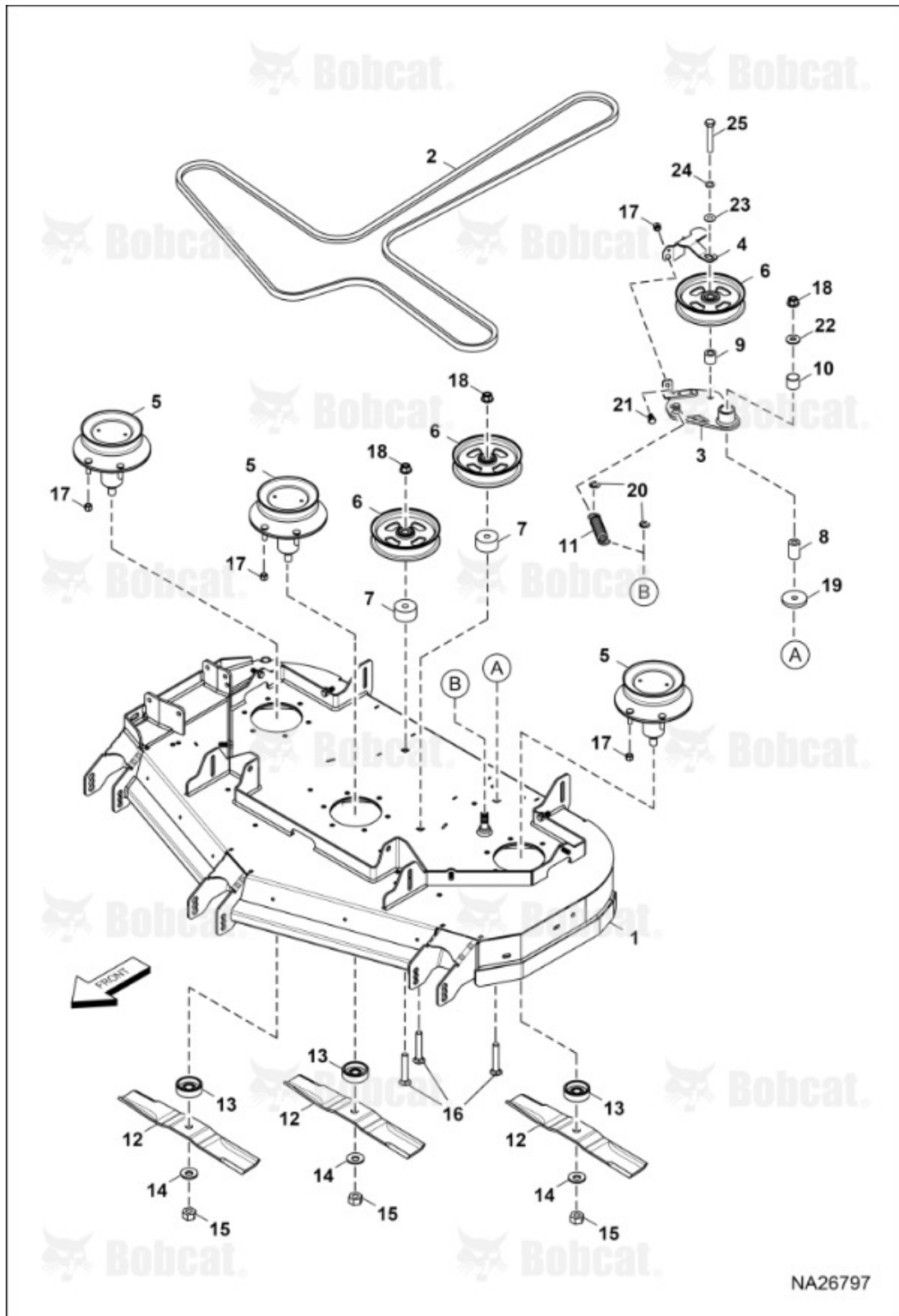
Serial Number: B6H511001 & Above

Ref #	Part #	Description	S/N	Qty
1	4179469	DECK W/LABELS 48 IN, 48" deck Was 4178463.46, A		1
1	4179470	DECK W/LABELS 52 IN, 52" deck - was 4178429.46, A		1
2	4173420.46	BAFFLE DISCHARGE		1
3	4168527.46	BAFFLE FRONT RH, 48" deck		1
3	4168516.46	BAFFLE FRONT RH, 52" deck		1
4	4165972.46	BAFFLE FRONT CENTER, 48" deck		1
4	4165966.46	BAFFLE FRONT CENTER, 52" deck		1
5	4165971.46	BAFFLE FRONT LH, 48" deck		1
5	4165965.46	BAFFLE FRONT LH, 52" deck		1
6	4168514.46	BRACKET MOUNTING		3
7	10C612	BOLT, Was PN 64018-23, A		2
8	1C612	BOLT, Was PN 64123-15, A		4
9	1C616	SCREW HEX HEAD CAP, Was PN 64123-50, A		1
10	37C412	BOLT, Was PN 64018-2, A		7
11	11D6	NUT LOCK HEX NYLON, Was PN 64268-03, A		22
12	11D4	NUT LOCK HEX NYLON, Was PN 64268-01, A		3
13	59D4	NUT LOCK HEX NYLON, Was PN 64229-01, A		4

Title: BELTS, Pulleys & Blades (EMEA)(48/52)

Model Number: ZT2000

Serial Number: B6H511001 & Above



Title: BELTS, Pulleys & Blades (EMEA)(48/52)

Model Number: ZT2000

Serial Number: B6H511001 & Above

Ref #	Part #	Description	S/N	Qty
1	4179469	DECK W/LABELS 48 IN, 48" deck Was 4178463.46, A		1
1	4179470	DECK W/LABELS 52 IN, 52" deck - was 4178429.46, A		1
2	7503240	BELT DECK 48 IN		1
2	7503241	BELT DECK 52 IN		1
3	4169504.46	ARM IDLER WELDMENT		1
4	4168732.46	GUIDE ASSEMBLY		1
5	7443188	SPINDLE ASSEMBLY		3
6	4176836	PULLEY IDLER		3
7	4152578-02	SPACER ROUND		2
8	4168176	TUBE PIVOT		1
9	113086	SPACER IDLER		1
10	4166324-03	BEARING SLEEVE		1
11	2308133	SPRING EXTENSION		1
12	112243-01	BLADE 16.25 OFFSET HI-LIFT, 48" deck		3
12	112243-02	BLADE ASSEMBLY, 52" deck		3
13	7460376	SPACER BLADE		3
14	64209-03	SPRING WASHER		3
15	64025-47	NUT HEX		3
16	64018-11	BOLT CARRIAGE		3
17	59D6	NUT LOCK HEX NYLON, Was 64229-03 , A		13
18	11D8	NUT LOCK HEX NYLON, Was PN 64268-05, A		7
19	4168173	SPACER IDLER		1
20	64144-36	RING SNAP		2
21	1C612	BOLT, Was PN 64123-15, A		4
22	64163-19	WASHER FLAT		1

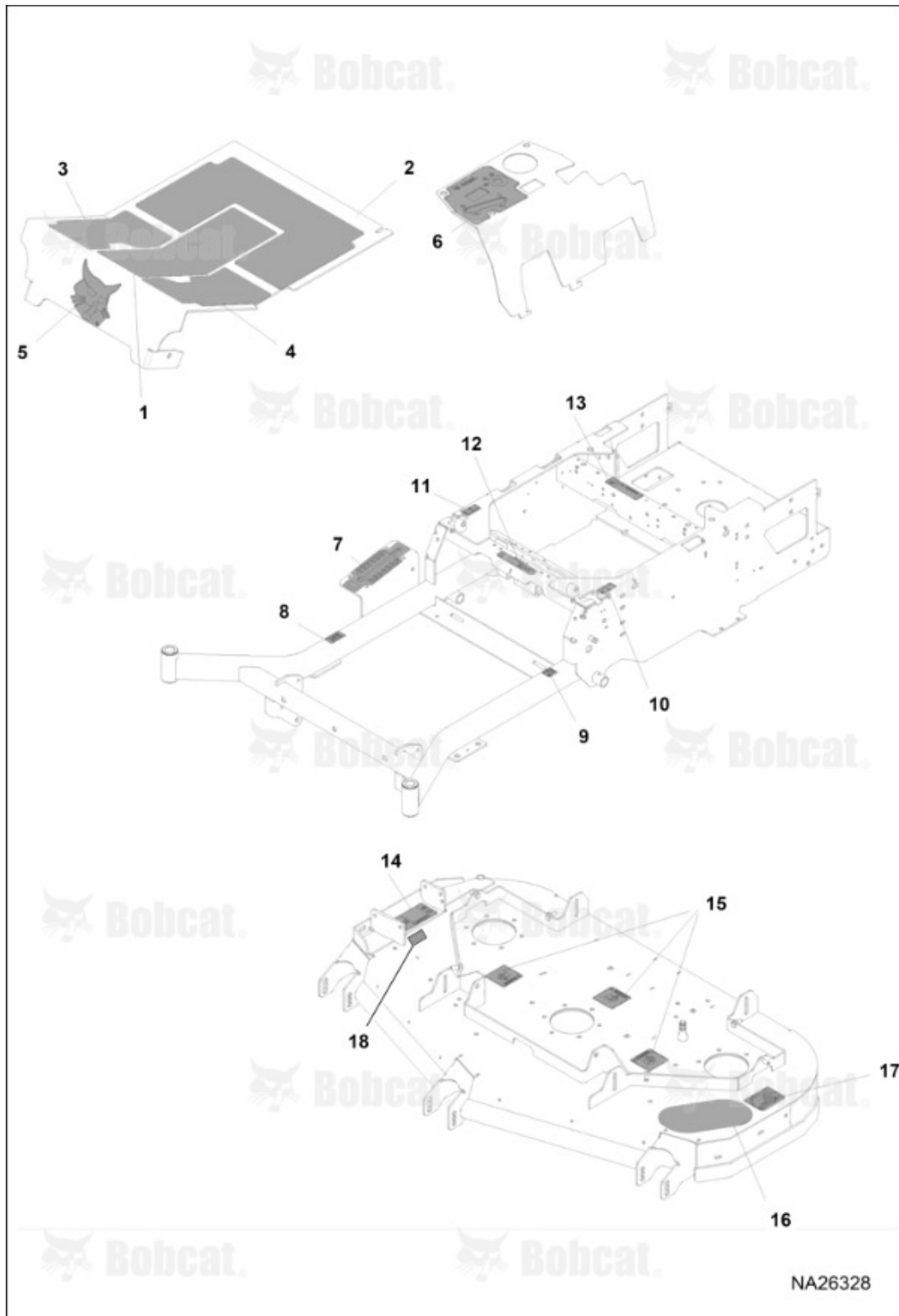
Title: BELTS, Pulleys & Blades (EMEA)(48/52)

Model Number: ZT2000

Serial Number: B6H511001 & Above

Ref #	Part #	Description	S/N	Qty
23	64163-67	WASHER FLAT		1
24	4E8	WASHER, Was PN 64006-05, A		1
25	64123-262	BOLT HEX		1

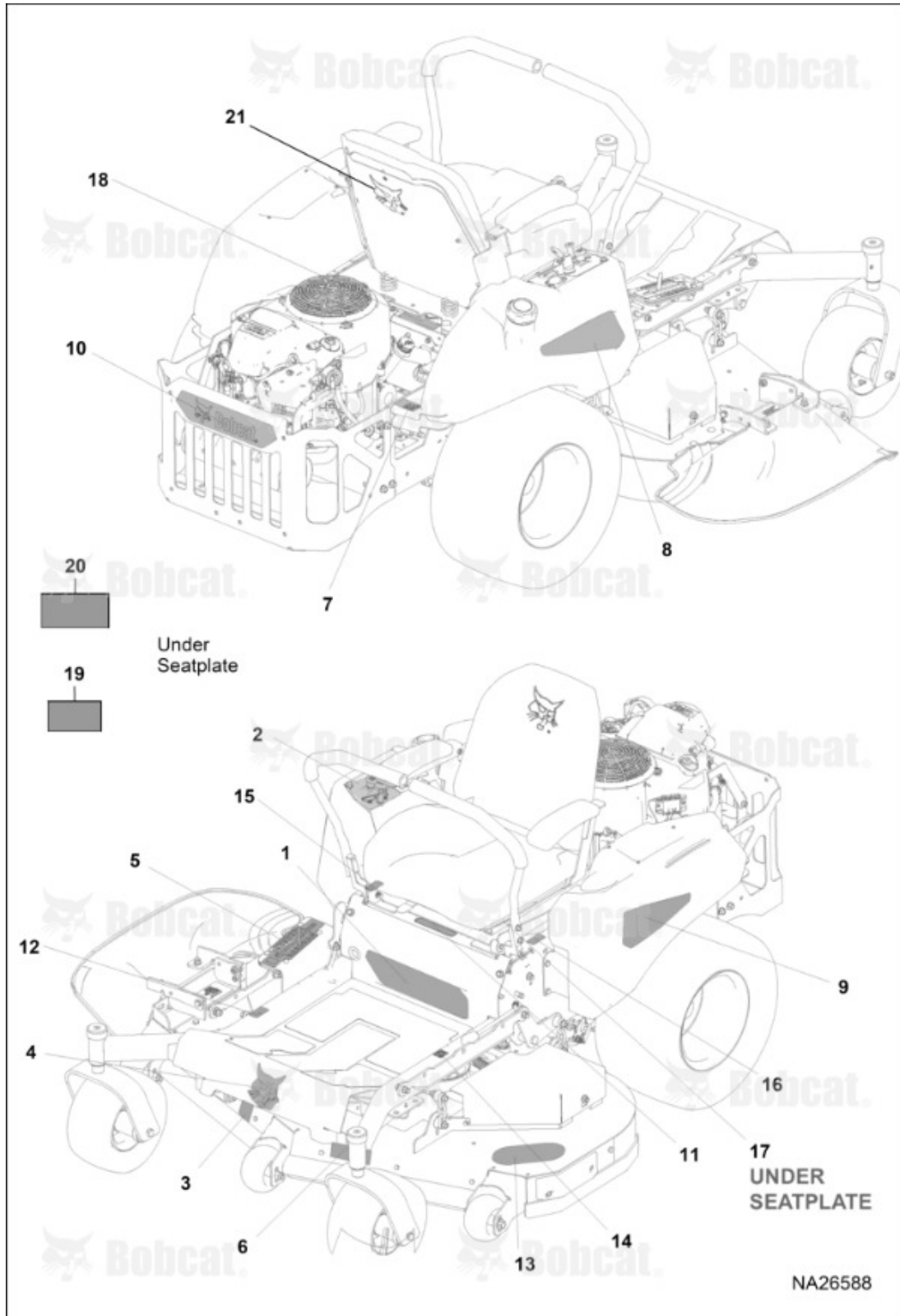
Title: Decals (EMEA)  
Model Number: ZT2000  
Serial Number: B6H511001 & Above



Title: Decals (EMEA)  
 Model Number: ZT2000  
 Serial Number: B6H511001 & Above

Ref #	Part #	Description	S/N	Qty
1	7511897	DECAL WARNING		1
2	4165931	MAT FOOTPLATE		1
3	4167087	MAT FOOTPLATE		1
4	4167088	MAT FOOTPLATE		1
5	4178634	DECAL BOBCAT		1
6	4178922	DECAL CONTROL		1
7	7511899	DECAL CUT HEIGHT		1
8	7511903	DECAL DECK LIFT		1
9	7511898	DECAL PARKING BRAKE		1
10	4165616	DECAL TRACTION		1
11	4165615	DECAL TRACTION		1
12	7511901	DECAL MANUAL LOCATION		1
13	7511906	DECAL BATTERY		1
14	7511900	DECAL WARNING		1
15	7511904	DECAL WARNING		3
16	4178563	DECAL DECK STEP		1
17	4176807	DECAL PROP 65		1
18	7524311	DECAL WARNING		1

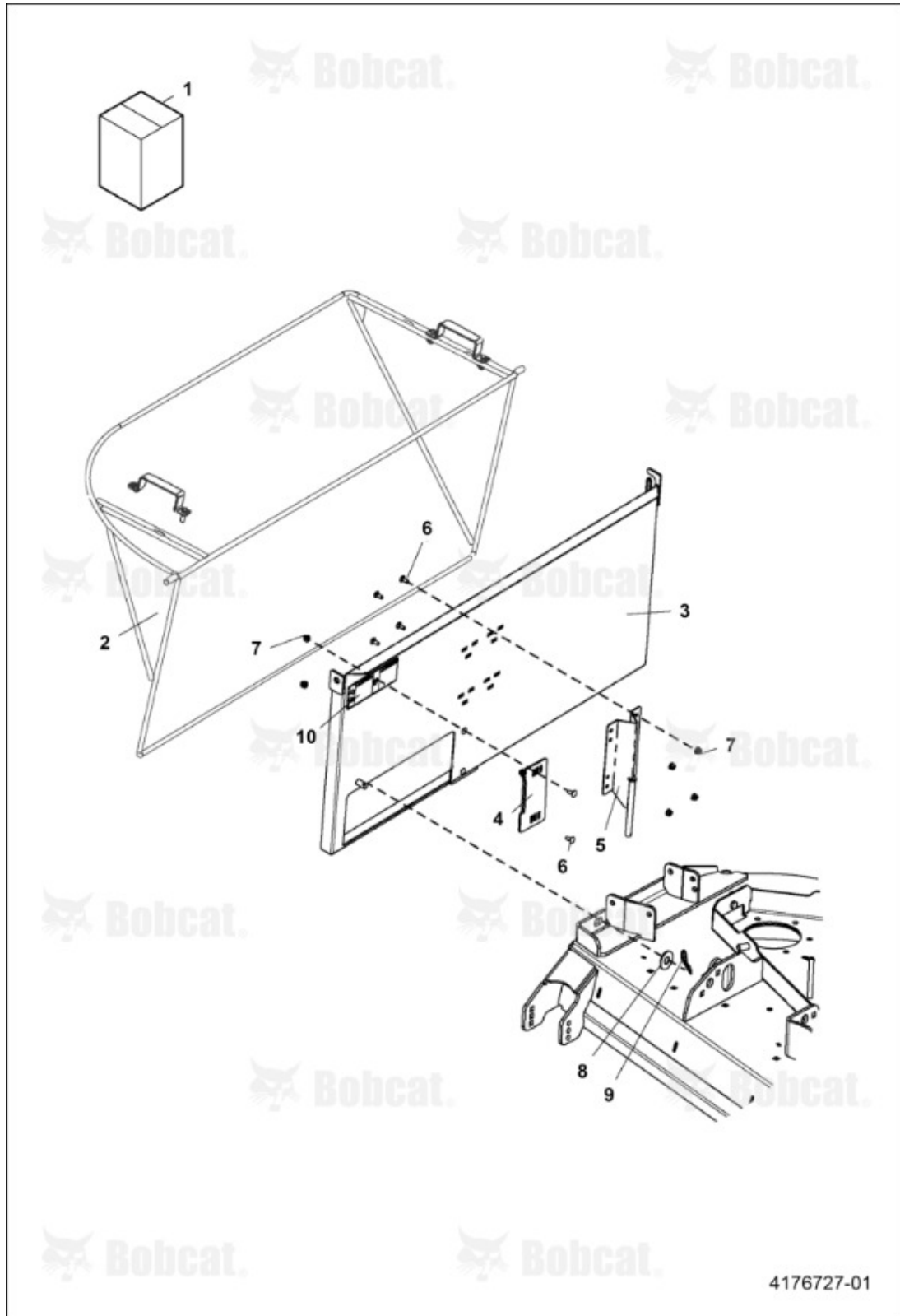
Title: Decals (EMEA)  
Model Number: ZT2000  
Serial Number: B6H511001 & Above



Title: Decals (EMEA)  
 Model Number: ZT2000  
 Serial Number: B6H511001 & Above

Ref #	Part #	Description	S/N	Qty
1	4178886	DECAL MODEL NUMBER		1
2	4178922	DECAL CONTROL		1
2	2000570	DECAL WARNING		2
3	4179352	DECAL DECK SIZE, 52"		1
4	4178634	DECAL BOBCAT		1
5	4169639	DECAL CUT HEIGHT		1
6	4179348	DECAL TUFDECK		1
7	7511905	DECAL WARNING		1
8	4178890	DECAL TANK FUEL		1
9	4178891	DECAL TANK FUEL		1
10	4178637	DECAL BOBCAT		1
11	7511907	DECAL MANUAL OPS PICTORIAL		1
12	4177522	DECAL DECK LIFT		1
13	4178563	DECAL DECK STEP		1
14	4167203	DECAL PARKING BRAKE		1
15	4165615	DECAL TRACTION		1
16	4165616	DECAL TRACTION		1
17	4171663	DECAL BELT DIAGRAM		1
18	7511906	DECAL BATTERY		1
19	7179020	DECAL		1
20	7511902	DECAL BELT DIAGRAM		1
21	4179392	DECAL BOBCAT		1

Title: Bag Kit (Poly)  
Model Number: ZT2000  
Serial Number: B6H511001 & Above



Title: Bag Kit (Poly)  
 Model Number: ZT2000  
 Serial Number: B6H511001 & Above

Ref #	Part #	Description	S/N	Qty
1	970590	MI BAGGER POLY 5 BUSHEL, 5 bushel - Ref. 2-10		1
1	970591	MI BAGGER POLY 3.75 BUSHEL, 3.75 bushel - Ref. 2-10		1
2	4176812	BAG CATCHER, 5 bushel		1
2	4176811	BAG CATCHER, 3.75 bushel		1
2	4135876	BAG CATCHER, 3.75 bushel - bag only		1
3	4176729	BRACKET MOUNTING, 5 bushel		1
3	4176728	BRACKET MOUNTING, 3.75 bushel		1
4	4176711.7	BRACKET DISCHARGE		1
5	4176716.7	WELDMENT BAG MOUNT		1
6	7508182	BOLT CARRIAGE, Was PN 64018-41, A		6
7	11D4	NUT LOCK HEX NYLON, Was PN 64268-01, A		6
8	64163-98	WASHER FLAT		1
9	64168-7	PIN COTTER		1
10	4164269	DECAL WARNING		1



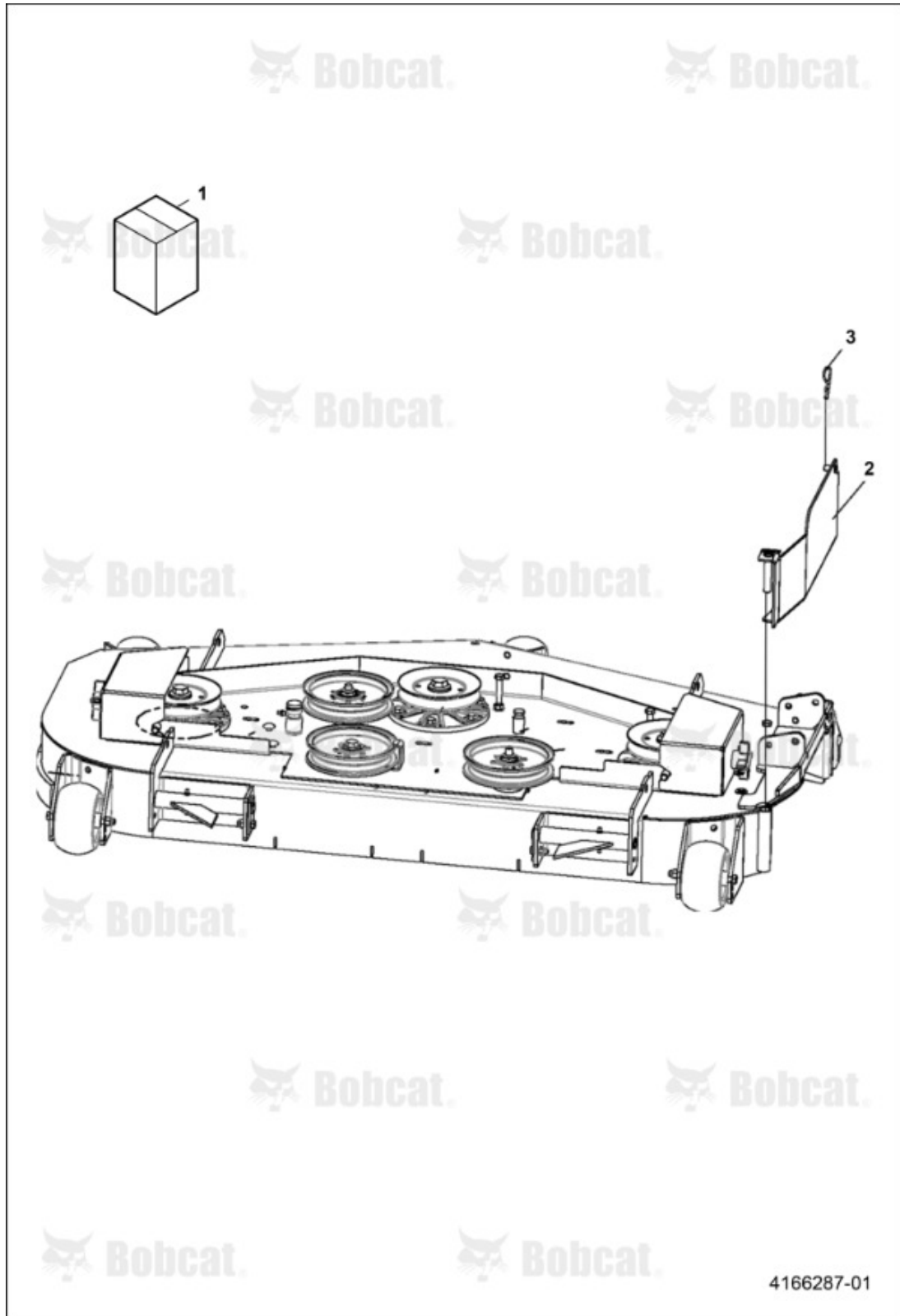
Title: Bag Collection (Aluminum)(Option)

Model Number: ZT2000

Serial Number: B6H511001 & Above

Ref #	Part #	Description	S/N	Qty
1	46903591	BAG COLLECTION ALUMINUM STANDARD, 3.32 bushel		1
1	46903592	BAG COLLECTION ALUMINUM JUMBO, 5 bushel		1

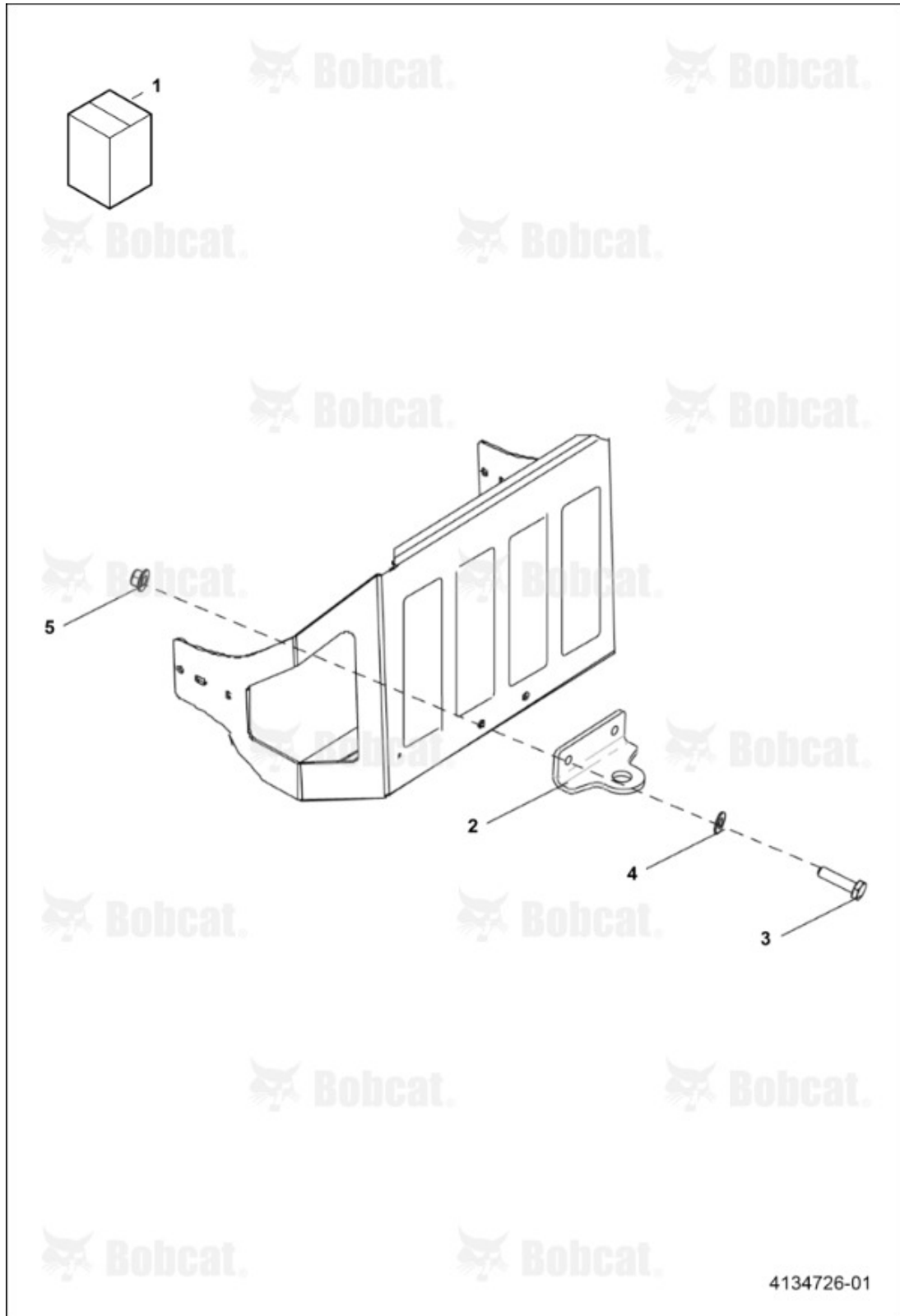
Title: Eco Plate Kit (52")  
Model Number: ZT2000  
Serial Number: B6H511001 & Above



Title: Eco Plate Kit (52")  
Model Number: ZT2000  
Serial Number: B6H511001 & Above

Ref #	Part #	Description	S/N	Qty
1	970404	KIT ECO PLATE 52 IN, Ref. 2 & 3		1
2	4165293.7	PLATE ECO 52		1
3	64168-1	PIN COTTER		1

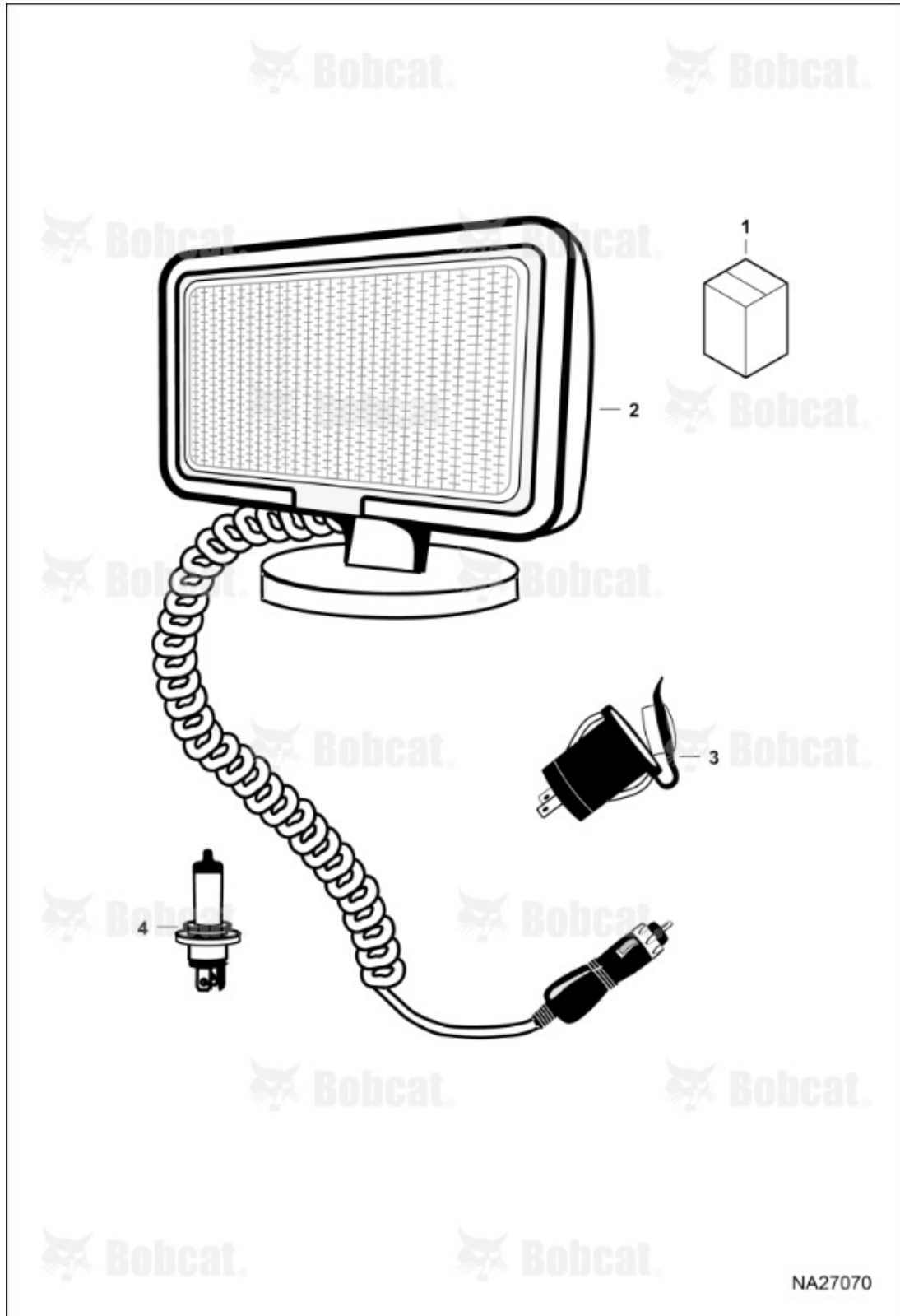
Title: Hitch Kit  
Model Number: ZT2000  
Serial Number: B6H511001 & Above



Title: Hitch Kit  
Model Number: ZT2000  
Serial Number: B6H511001 & Above

Ref #	Part #	Description	S/N	Qty
1	970315	KIT HITCH, Ref. 2-5		1
2	4127695.7	BRACKET HITCH		1
3	35C624	SCREW FLANGED HEAD CAP, Was PN 64262-013, A		2
4	64163-31	WASHER FLAT		2
5	11D6	NUT LOCK HEX NYLON, Was PN 64268-03, A		2

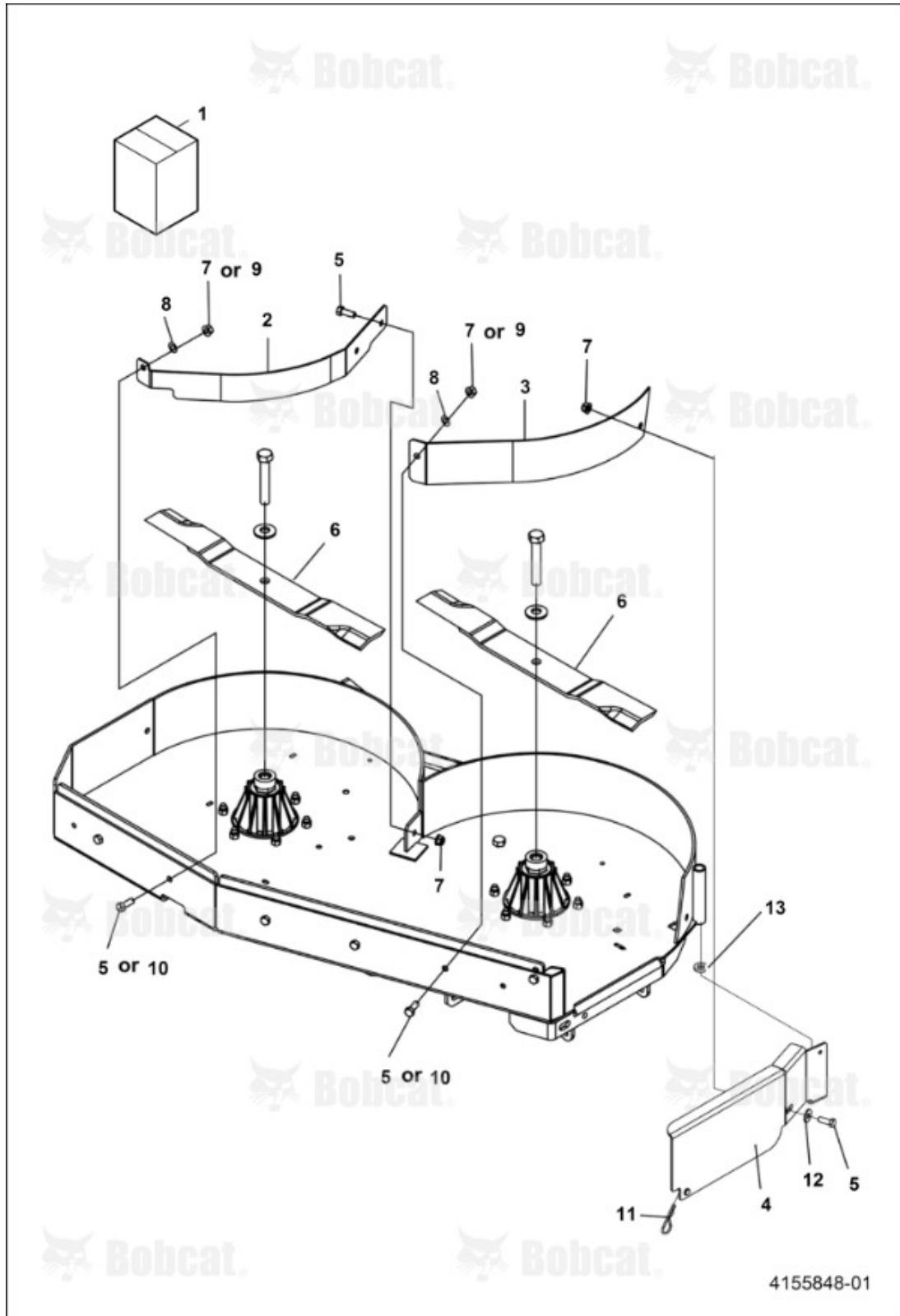
Title: Magnetic Light Kit  
Model Number: ZT2000  
Serial Number: B6H511001 & Above



Title: Magnetic Light Kit  
Model Number: ZT2000  
Serial Number: B6H511001 & Above

Ref #	Part #	Description	S/N	Qty
1	970464	KIT LIGHT, Ref. 2-4 - magnetic		1
2	4164538	LIGHT ASSEMBLY		1
3	4142266	CONNECTOR RECEPTACLE		1
4	4164539	BULB LIGHT		1

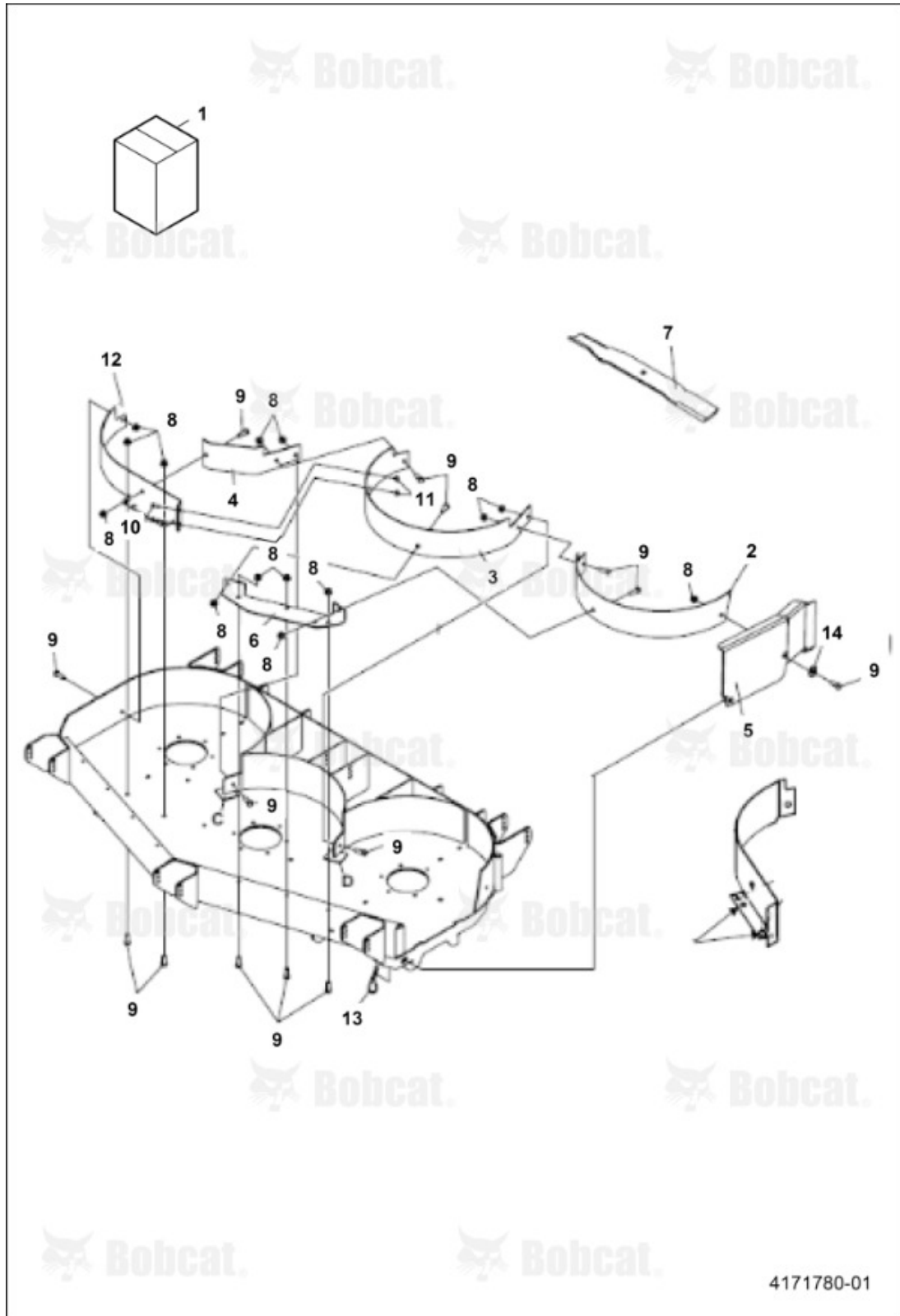
Title: Mulch Kit (42")  
Model Number: ZT2000  
Serial Number: B6H511001 & Above



Title: Mulch Kit (42")  
Model Number: ZT2000  
Serial Number: B6H511001 & Above

Ref #	Part #	Description	S/N	Qty
1	970348	KIT MULCHING 42 IN, Ref. 2-13		1
2	4155763.7	BAFFLE MULCH LH		1
3	4155764.7	BAFFLE MULCH RH		1
4	4166347.7	PLATE MULCH		1
5	1C616	SCREW HEX HEAD CAP, Was PN 64123-50, A		6
6	112243-03	BLADE MOWER		2
7	11D6	NUT LOCK HEX NYLON, Was PN 64268-03, A		6
8	64163-34	WASHER FLAT		2
9	11D4	NUT LOCK HEX NYLON, Was PN 64268-01, A		2
10	64123-114	BOLT HEX		2
11	64168-1	PIN COTTER		1
12	64163-31	WASHER FLAT		1
13	64163-36	WASHER FLAT		1

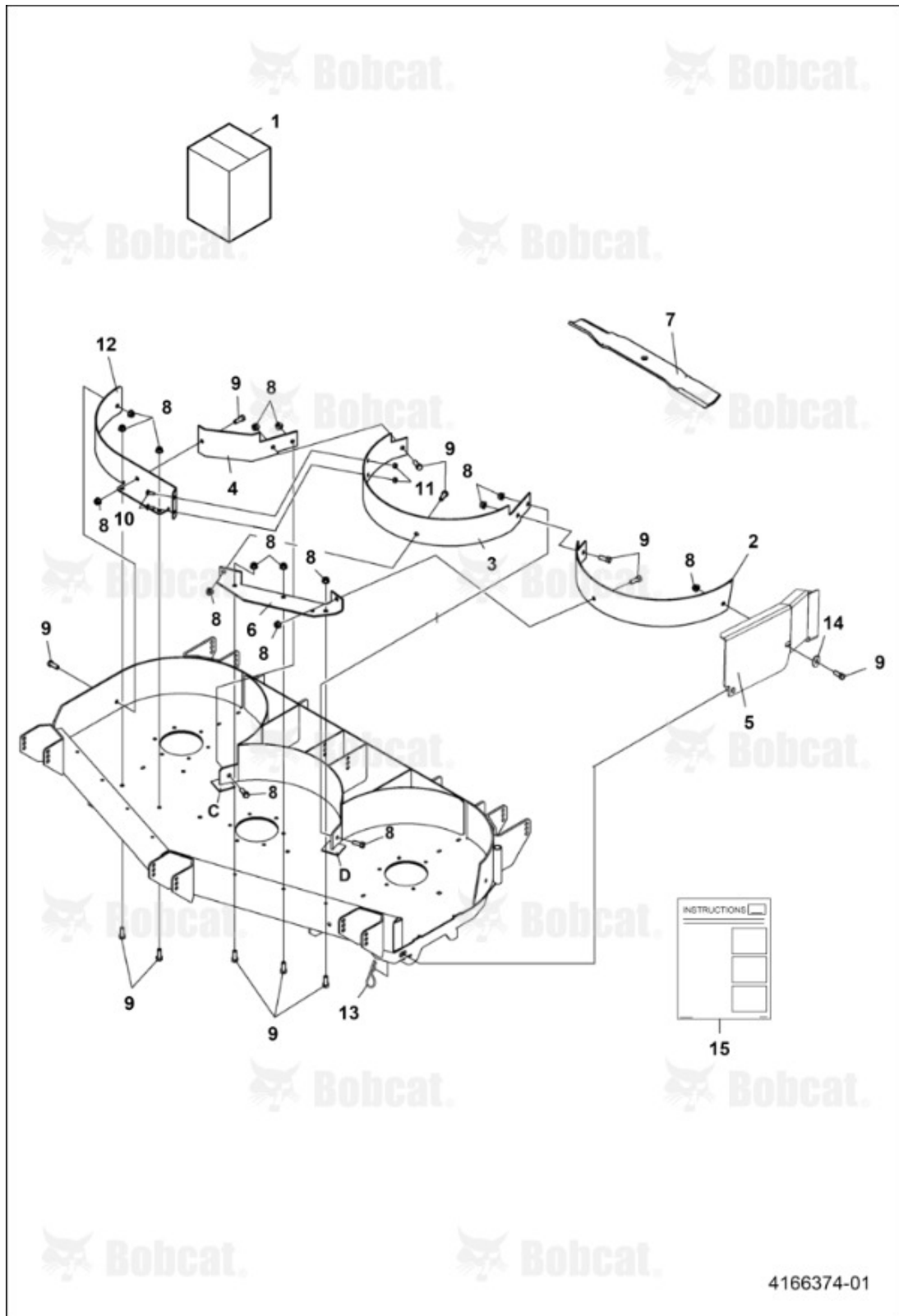
Title: Mulch Kit (48")  
Model Number: ZT2000  
Serial Number: B6H511001 & Above



Title: Mulch Kit (48")  
 Model Number: ZT2000  
 Serial Number: B6H511001 & Above

Ref #	Part #	Description	S/N	Qty
1	970533	KIT MULCH 48 IN G-SERIES, Ref. 2-14		1
2	4114256.7	BAFFLE MULCH RH		1
3	4114254.7	BAFFLE MULCH CENTER		1
4	4114147.7	BAFFLE MULCH LH		1
5	4166963.7	PLATE MULCH		1
6	4177034.7	BRACKET MOUNTING		1
7	2722543-01	BLADE 16.25 ELIMINATOR		3
8	11D6	NUT LOCK HEX NYLON, Was PN 64268-03, A		14
9	1C616	SCREW HEX HEAD CAP, Was PN 64123-50, A		14
10	37C412	BOLT, Was PN 64018-2, A		2
11	59D4	NUT LOCK HEX NYLON, Was PN 64229-01, A		2
12	4177031.7	BAFFLE FRONT LH		1
13	64168-1	PIN COTTER		1
14	64163-31	WASHER FLAT		1

Title: Mulch Kit (52")  
Model Number: ZT2000  
Serial Number: B6H511001 & Above



Title: Mulch Kit (52")  
 Model Number: ZT2000  
 Serial Number: B6H511001 & Above

Ref #	Part #	Description	S/N	Qty
1	970408	KIT MULCH 52 IN, 52" - Ref. 2-14		1
2	4118701.7	BAFFLE MULCH RH		1
3	4118995.7	BAFFLE MULCH CENTER		1
4	4118996.7	BAFFLE MULCH LH		1
5	4166350.7	PLATE DISCHARGE		1
6	4177035.7	BRACKET MOUNTING		1
7	2722543-02	BLADE 18.00 ELIMINATOR		3
8	11D6	NUT LOCK HEX NYLON, Was PN 64268-03, A		15
9	1C616	SCREW HEX HEAD CAP, Was PN 64123-50, A		15
10	37C412	BOLT, Was PN 64018-2, A		2
11	59D4	NUT LOCK HEX NYLON, Was PN 64229-01, A		2
12	4177032.7	BAFFLE MULCH LH		1
13	64168-1	PIN COTTER		1
14	64163-31	WASHER FLAT		1
15	4166374	INSTILLATION INSTRUCTIONS		1



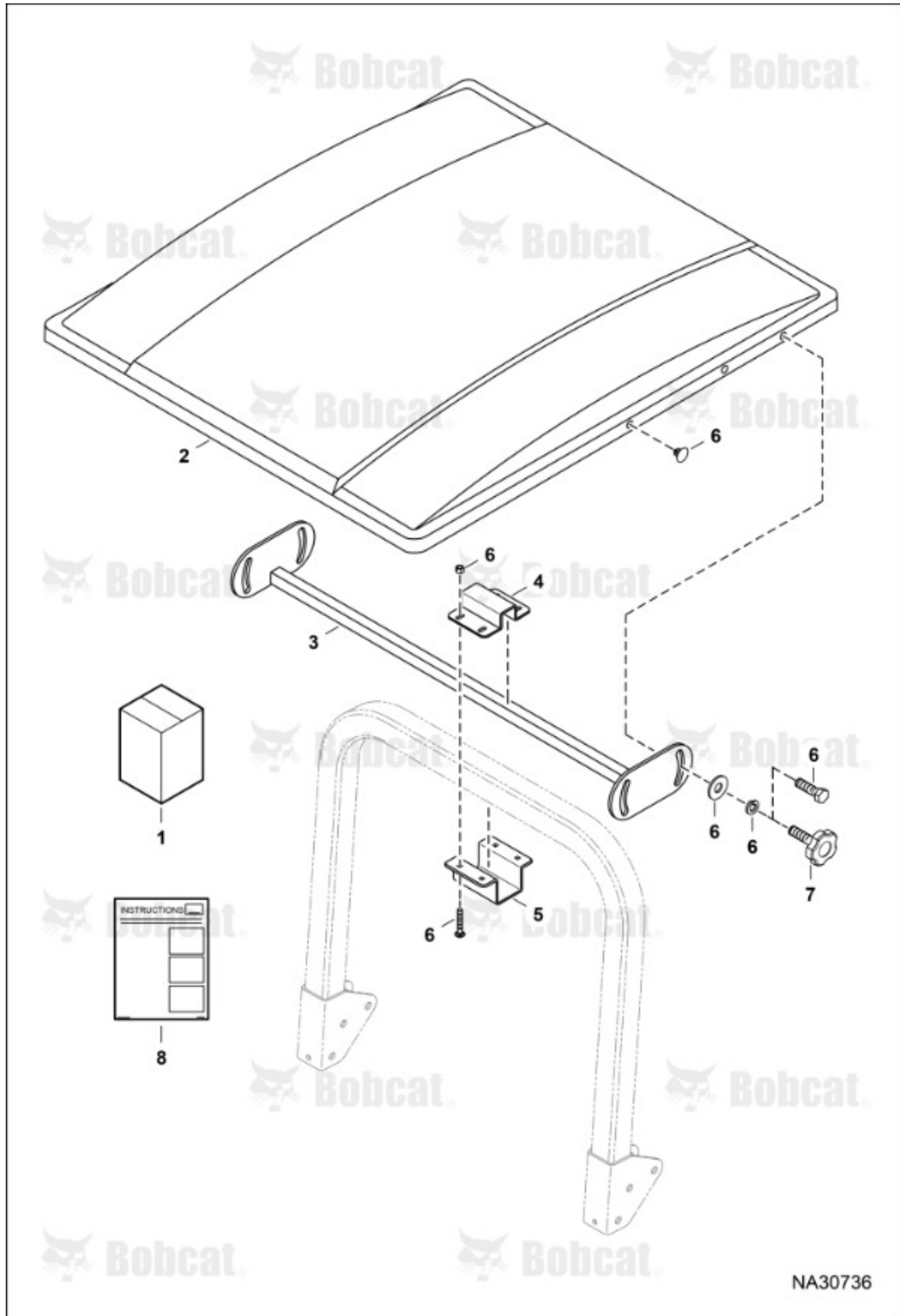
Title: ROPS Kit  
 Model Number: ZT2000  
 Serial Number: B6H511001 & Above

Ref #	Part #	Description	S/N	Qty
1	970580	KIT ROPS, Ref. 2-26		1
2		BRACKET LATCH, BRACKET LATCH		1
3		ROPS LOWER LH, ROPS LOWER LH		1
4		ROPS LOWER RH, ROPS LOWER RH		1
5	59D7	NUT LOCK HEX NYLON, Was PN 64229-04, A		1
6	64123-28	BOLT HEX		1
7	4167954.46	ROPS ASSEMBLY		1
8	64163-19	WASHER FLAT		1
9	4162879	PIN HITCH		1
10	4162880	LANYARD NYLON		1
11	4160348	WASHER RETAINING		1
12	4162878	WASHER ASSEMBLY		1
13	4160344	PLUG HOLE		1
14	33030-09	BUSHING IDLER		1
15	4160347	DECAL WARNING		1
16	1C848	SCREW HEX CAP, Was PN 64123-31, A		1
17	64151-7	NUT HEX		1
18	64168-1	PIN COTTER		1
19	35C628	BOLT, Was PN 64262-018, A		1
20	516544	BUSHING PLATED		1
21	41-053	SPRING COMPRESSION		1
22	11D6	NUT LOCK HEX NYLON, Was PN 64268-03, A		1
23	64262-033	BOLT FLANGE		1
24	11D8	NUT LOCK HEX NYLON, Was PN 64268-05, A		1
25	4168336	BELT SEAT		1

Title: ROPS Kit  
Model Number: ZT2000  
Serial Number: B6H511001 & Above

Ref #	Part #	Description	S/N	Qty
26	7437567	DECAL ROPS, Was 4175380		1

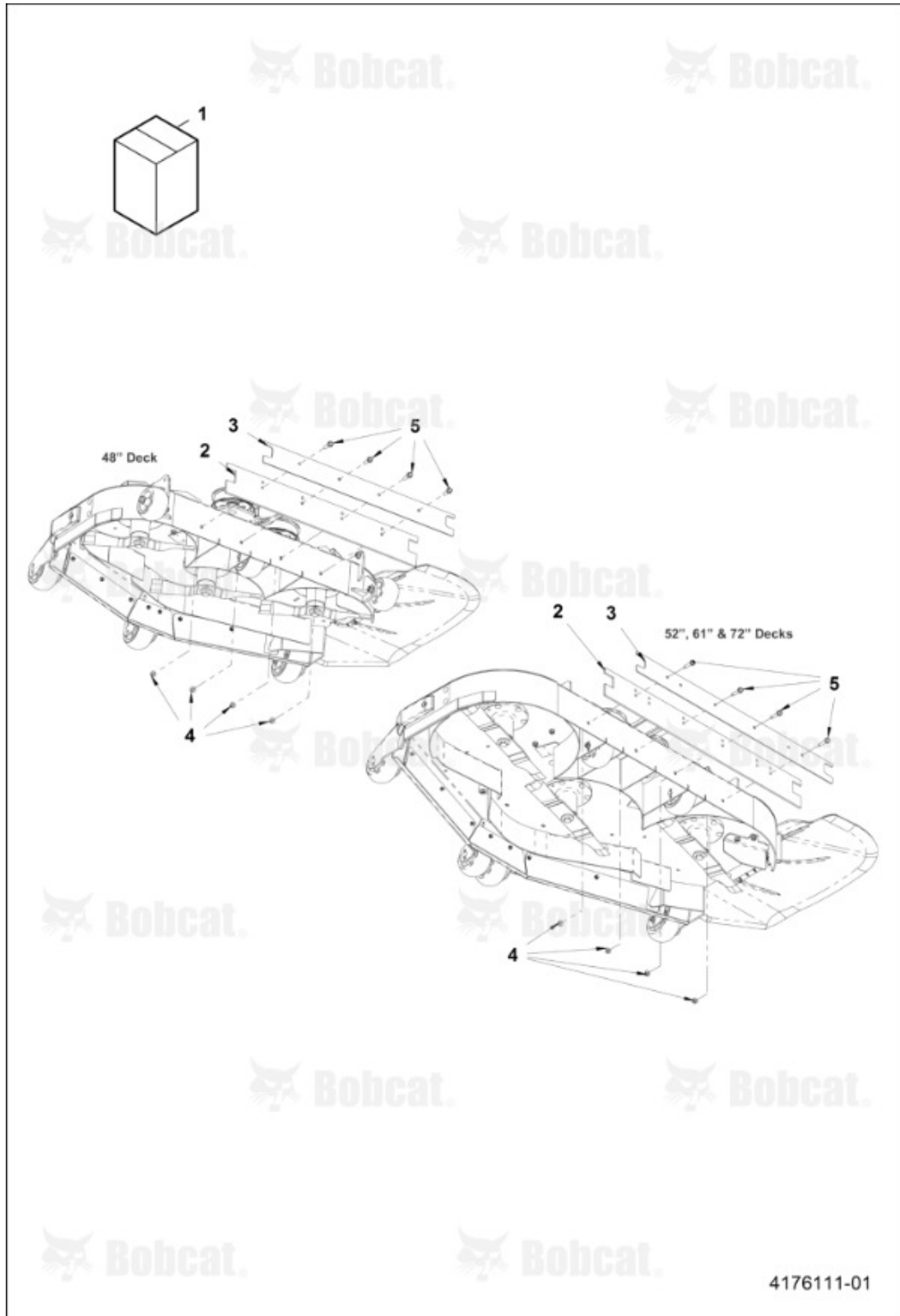
Title: ROPS Canopy Kit  
Model Number: ZT2000  
Serial Number: B6H511001 & Above



Title: ROPS Canopy Kit  
Model Number: ZT2000  
Serial Number: B6H511001 & Above

Ref #	Part #	Description	S/N	Qty
1	970649	KIT CANOPY ROPS		1
2	46988576	CANOPY TOP BLACK		1
3	46988577	CROSS BAR ROPS		1
4	46988579	BRACKET CROSS BAR 1"		2
5	46988586	BRACKET ROPS 2"		2
5	46988587	BRACKET ROPS 3"		2
6	46988590	KIT HARDWARE		1
7	46988593	SCREW KNOB		4
8		INSTRUCTIONS SHEET, INSTRUCTIONS SHEET		1

Title: Striping Kit (48")  
Model Number: ZT2000  
Serial Number: B6H511001 & Above



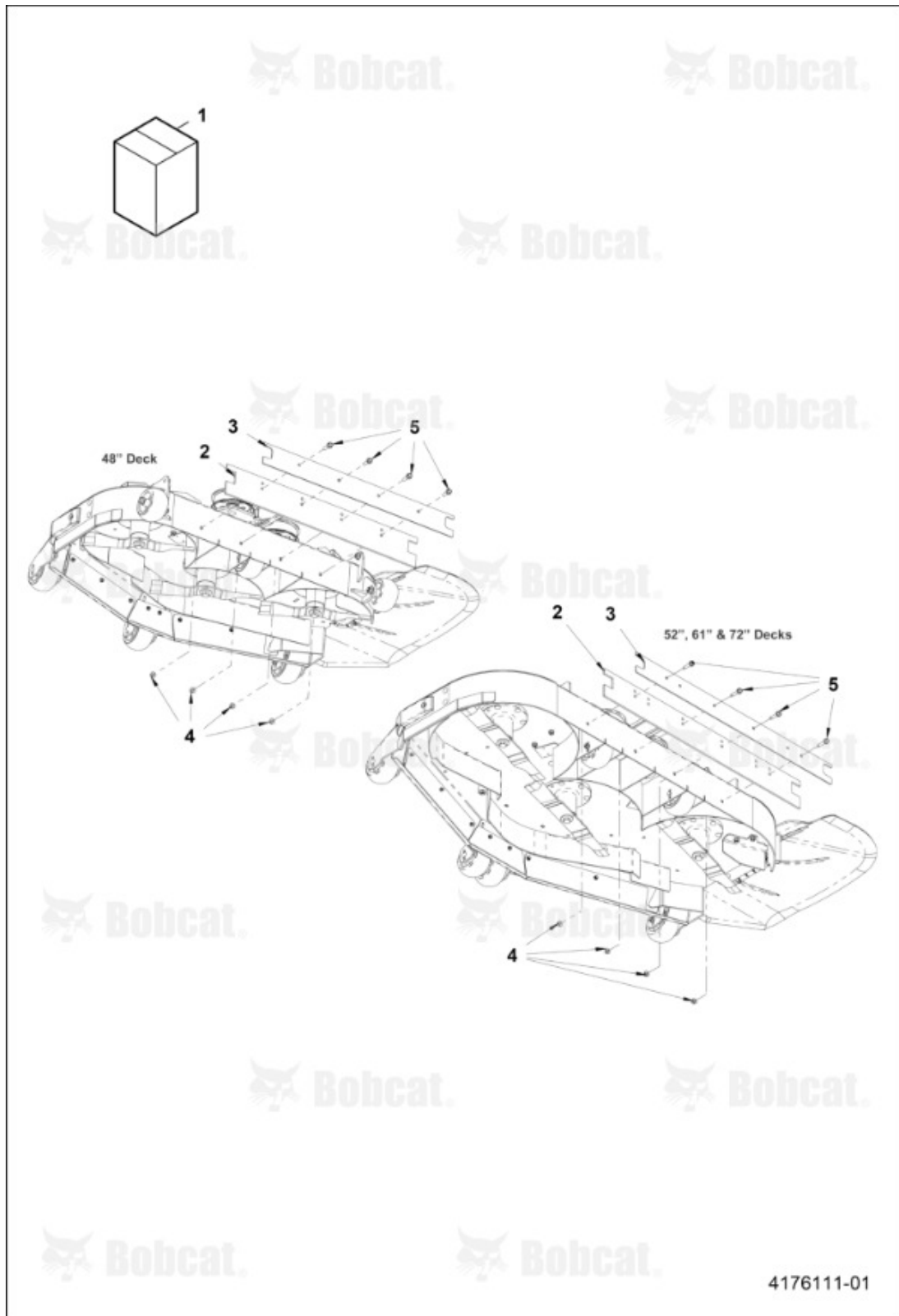
Title: Striping Kit (48")  
Model Number: ZT2000  
Serial Number: B6H511001 & Above

Ref #	Part #	Description	S/N	Qty
1	970592	KIT STRIPING 48 IN, 48" - Ref. 2-5		1
2	4175688	FLAP RUBBER, 48"		1
3	4175689.7	PLATE BACKUP, 48"		1
4	11D6	NUT LOCK HEX NYLON, Was PN 64268-03, A		4
5	64262-012	BOLT FLANGE		4

Title: Striping Kit (52"-72")

Model Number: ZT2000

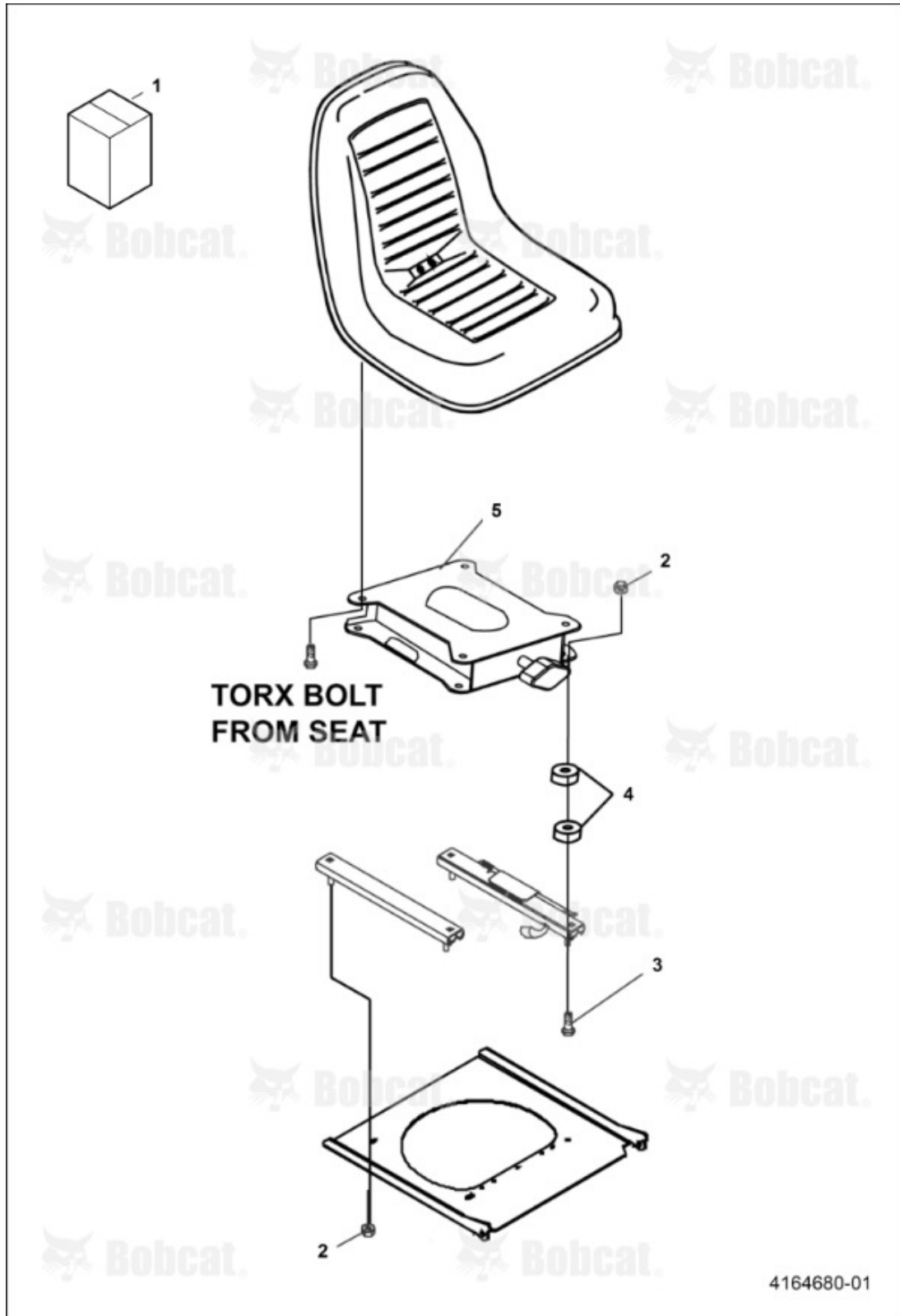
Serial Number: B6H511001 & Above



Title: Striping Kit (52"-72")  
Model Number: ZT2000  
Serial Number: B6H511001 & Above

Ref #	Part #	Description	S/N	Qty
1	970593	KIT STRIPING 52-72 IN PC5K-PP7K, 52"-72" - Ref. 2-5		1
2	4175686	FLAP RUBBER, 52"-72"		1
3	4175687.7	PLATE BACKUP, 52"-72"		1
4	11D6	NUT LOCK HEX NYLON, Was PN 64268-03, A		4
5	64262-012	BOLT FLANGE		4

Title: Suspension Seat Kit  
Model Number: ZT2000  
Serial Number: B6H511001 & Above



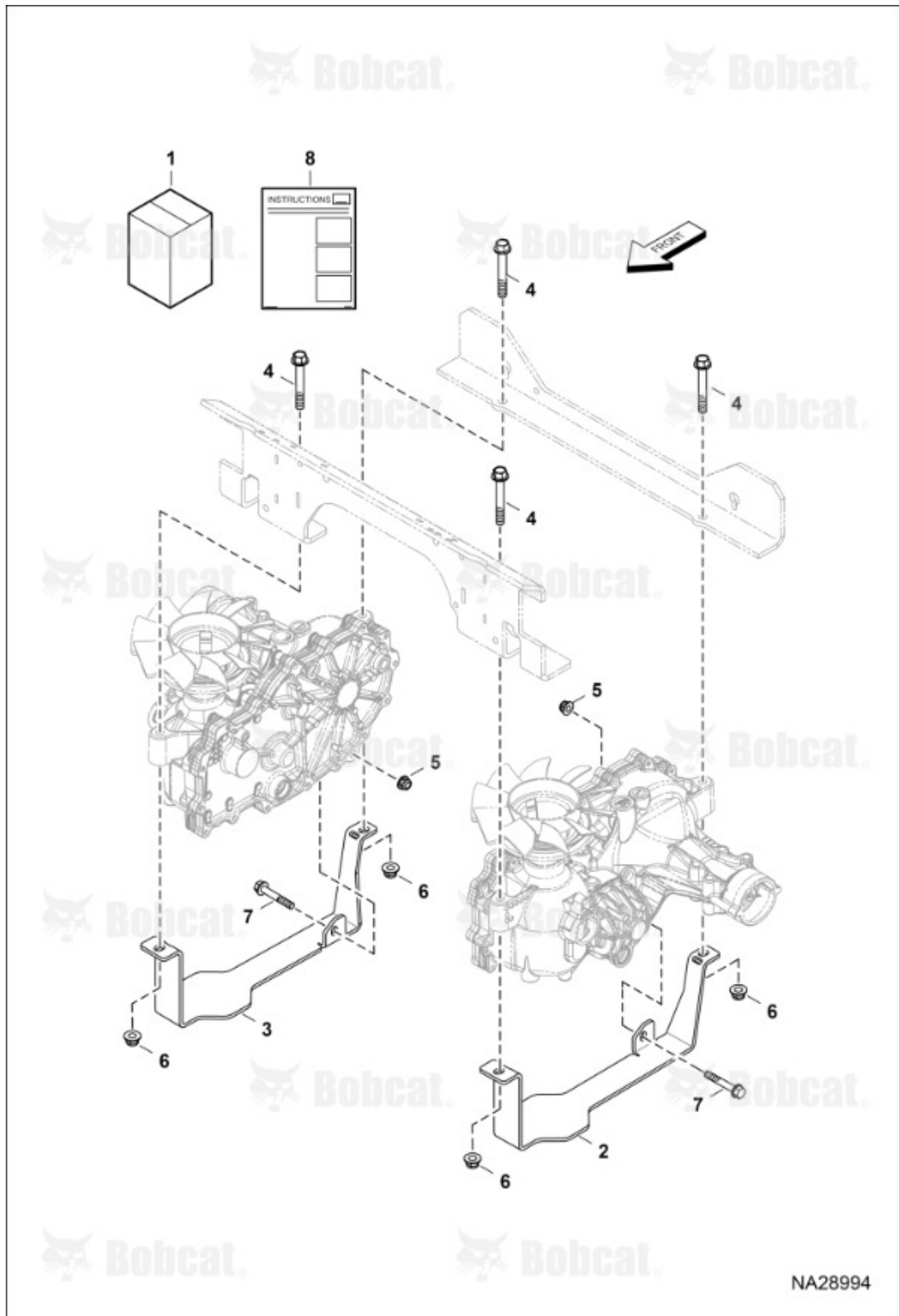
Title: Suspension Seat Kit  
Model Number: ZT2000  
Serial Number: B6H511001 & Above

Ref #	Part #	Description	S/N	Qty
1	970394	KIT SUSPENSION SEAT, Ref. 2-5		1
2	64141-6	NUT HEX		8
3	64262-019	BOLT FLANGE		4
4	2720975-07	SPACER NYLON		8
5	4164679	SEAT SUSPENSION		1

Title: Transaxle Skid Plate Kit

Model Number: ZT2000

Serial Number: B6H511001 & Above



NA28994

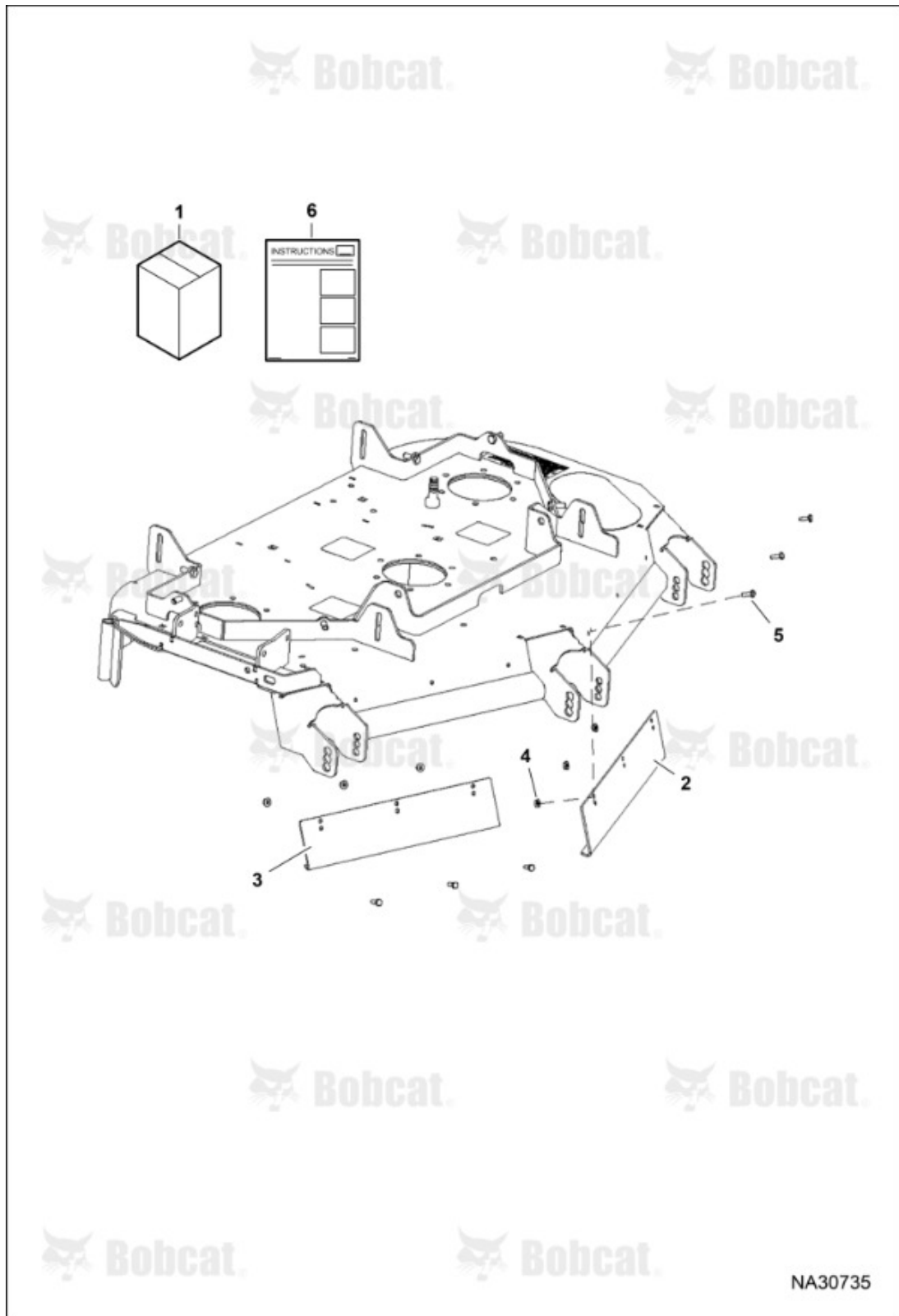
Title: Transaxle Skid Plate Kit

Model Number: ZT2000

Serial Number: B6H511001 & Above

Ref #	Part #	Description	S/N	Qty
1	46947647	KIT TRANSAXLE SKID PLATE, W/Ref. 2-8		1
2	46923273.46	PLATE SKID TRANSAXLE LH		1
3	46923274.46	PLATE SKID TRANSAXLE RH		1
4	46950157	BOLT FLANGE HEX 3/8-16 X 2 3/4		4
5	11D5	NUT LOCK HEX NYLON		2
6	11D6	NUT LOCK HEX NYLON		4
7	31C532	BOLT		2
8	46924849ENUS	INSTRUCTION SHEET MOWER SKID PLATE		1

Title: Adjustable Lip Kit  
Model Number: ZT2000  
Serial Number: B6H511001 & Above



Title: Adjustable Lip Kit  
 Model Number: ZT2000  
 Serial Number: B6H511001 & Above

Ref #	Part #	Description	S/N	Qty
1	7458574	KIT LIP ADJUSTABLE 36IN		1
1	7458572	KIT LIP ADJUSTABLE 48IN		1
1	7458570	KIT LIP ADJUSTABLE 52IN		1
1	7460963	KIT LIP ADJUSTABLE 61IN		1
2	7448728.46	BRACKET ADJUSTING, LH - 36"		1
2	4178508.46	BRACKET ADJUSTING, LH - 48"		1
2	4178438.46	BRACKET ADJUSTING, LH - 52"		1
2	4178778.46	BRACKET ADJUSTING, LH - 61"		1
3	7448727.46	BRACKET ADJUSTING, RH - 36"		1
3	4178507.46	BRACKET ADJUSTING, RH - 48"		1
3	4178437.46	BRACKET ADJUSTING, RH - 52"		1
3	4178779.46	BRACKET ADJUSTING, RH - 61"		1
4	64123-89	BOLT HEX		6
5	64141-2	NUT WELD		6
6	7460965ENUS	INSTRUCTIONS INSTALL		1